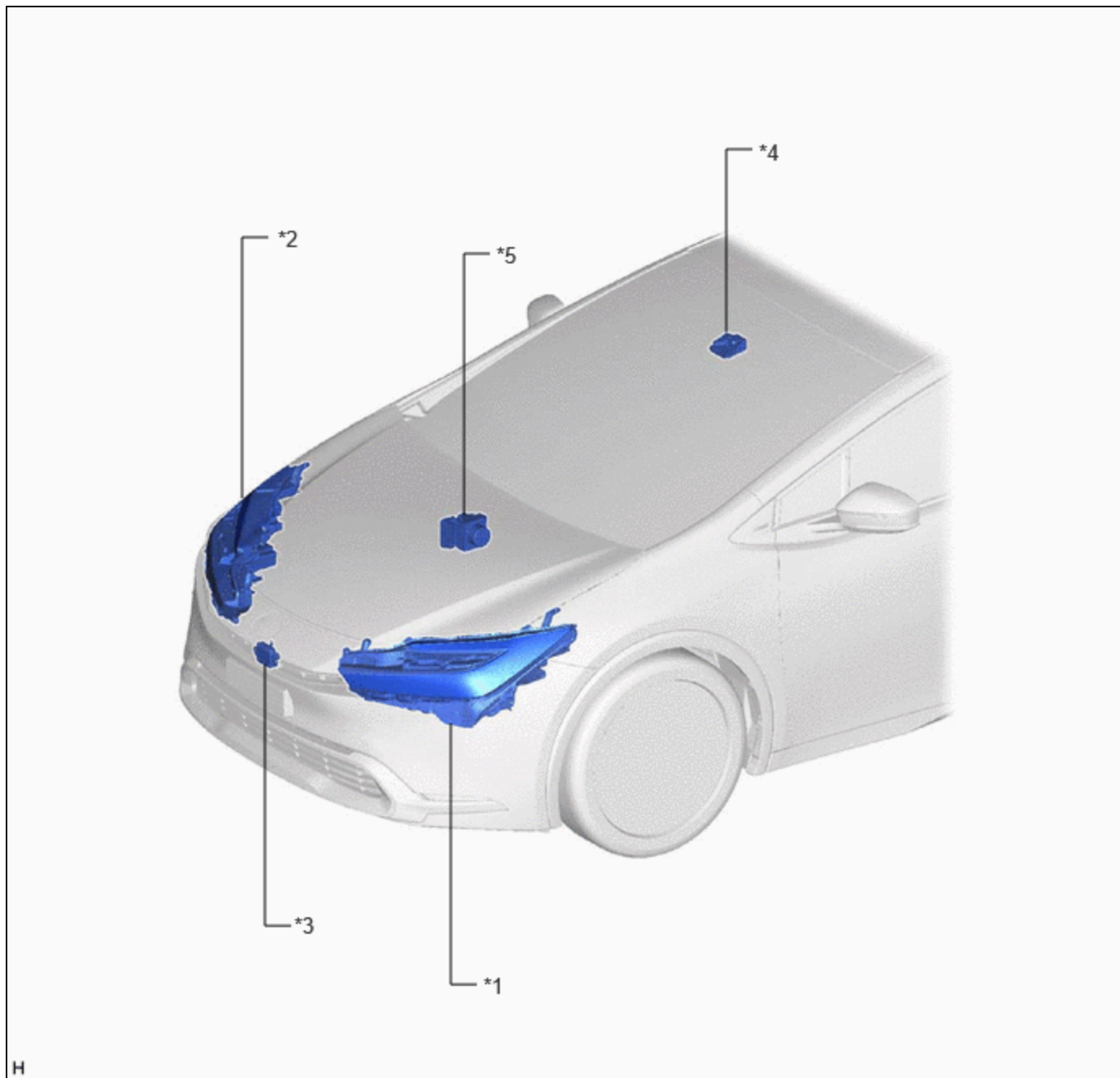


Last Modified: 12-04-2024	6.11:8.1.0	Doc ID: RM1000000029948
Model Year Start: 2023	Model: Prius Prime	Prod Date Range: [12/2022 -]
Title: ADVANCED DRIVER ASSISTANCE SYSTEM: AUTOMATIC HIGH BEAM SYSTEM: PARTS LOCATION; 2023 - 2024 MY Prius Prius Prime [12/2022 -]		

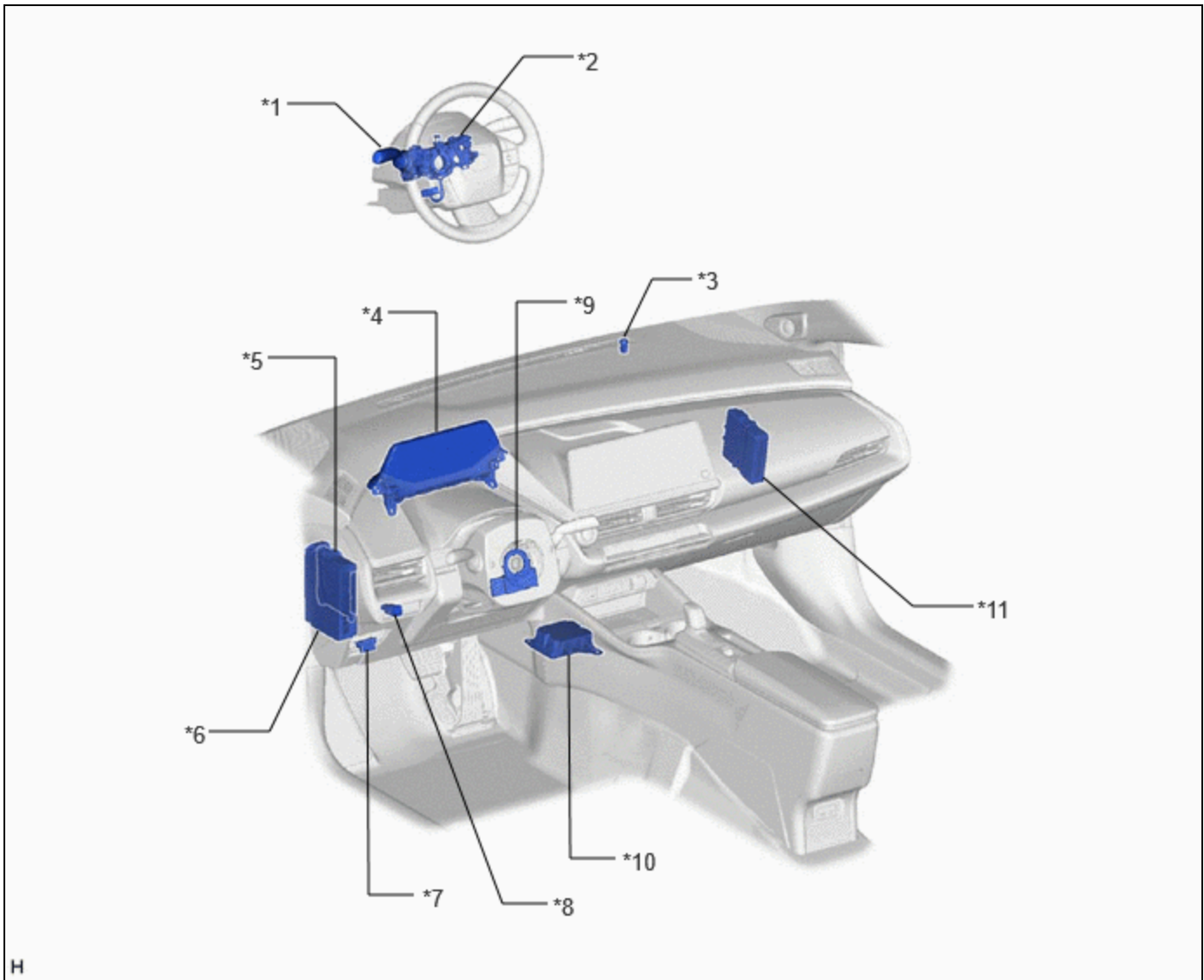
PARTS LOCATION

ILLUSTRATION



*1	HEADLIGHT ASSEMBLY LH	*2	HEADLIGHT ASSEMBLY RH
*3	MILLIMETER WAVE RADAR SENSOR ASSEMBLY	*4	FORWARD RECOGNITION CAMERA
*5	NO. 2 SKID CONTROL ECU (BRAKE ACTUATOR ASSEMBLY)	-	-

ILLUSTRATION



H

*1	TURN SIGNAL SWITCH	*2	STEERING WHEEL SWITCH HOUSING
*3	AUTOMATIC LIGHT CONTROL SENSOR	*4	COMBINATION METER ASSEMBLY
*5	MAIN BODY ECU (MULTIPLEX NETWORK BODY ECU)	*6	POWER DISTRIBUTION BOX ASSEMBLY - ECU-B NO. 2 FUSE
*7	DLC3	*8	AUTO HIGH BEAM SWITCH
*9	STEERING SENSOR	*10	AIRBAG ECU ASSEMBLY
*11	HYBRID VEHICLE CONTROL ECU	-	-

