

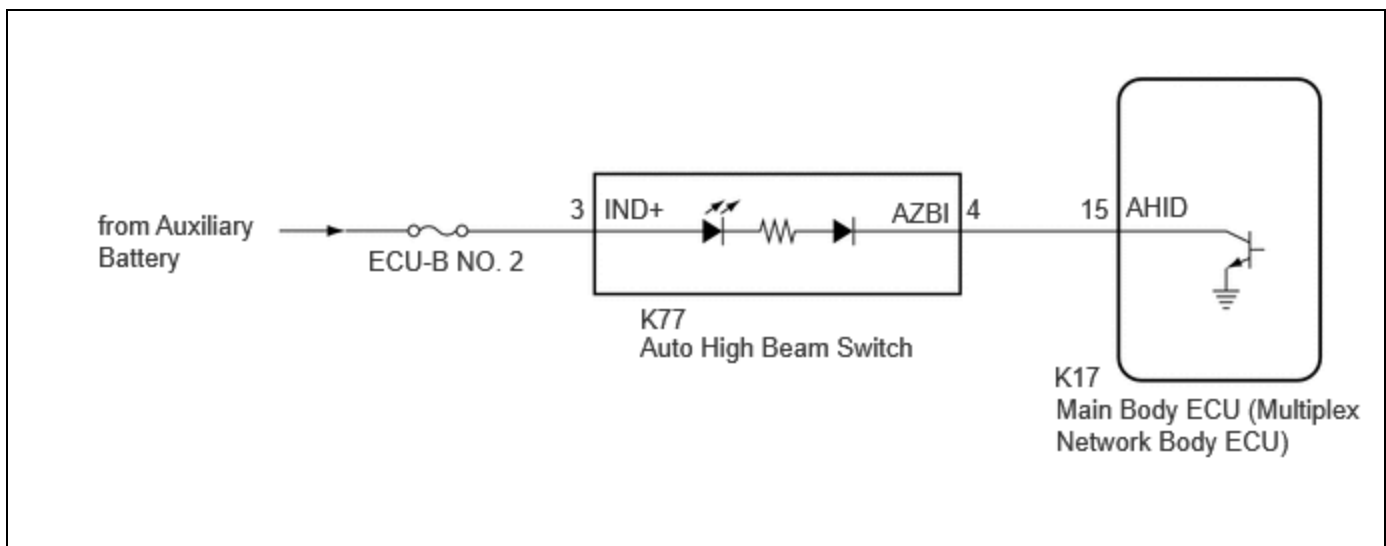
Last Modified: 12-04-2024	6.11:8.1.0	Doc ID: RM10000002994J
Model Year Start: 2023	Model: Prius Prime	Prod Date Range: [12/2022 -]
Title: ADVANCED DRIVER ASSISTANCE SYSTEM: AUTOMATIC HIGH BEAM SYSTEM: Automatic High Beam Switch Indicator does not Come ON; 2023 - 2024 MY Prius Prius Prime [12/2022 -]		

Automatic High Beam Switch Indicator does not Come ON

DESCRIPTION

When the automatic high beam system is on, the main body ECU (multiplex network body ECU) illuminates the auto high beam switch indicator.

WIRING DIAGRAM



CAUTION / NOTICE / HINT

NOTICE:

- Inspect the fuses for circuits related to this system before performing the following procedure.
- Before replacing the main body ECU (multiplex network body ECU), refer to Registration.

Click here [INFO](#)

PROCEDURE

1.	READ VALUE USING GTS
-----------	-----------------------------

(a) Read the Data List according to the display on the GTS.

Body Electrical > Main Body > Active Test

TESTER DISPLAY	MEASUREMENT ITEM	CONTROL RANGE	DIAGNOSTIC NOTE
Automatic High Beam Switch Light	Auto high beam switch indicator light	OFF or ON	-

Body Electrical > Main Body > Active Test

TESTER DISPLAY
Automatic High Beam Switch Light

OK:
Normal conditions listed above are displayed.

OK ► **USE SIMULATION METHOD TO CHECK**

NG
▼

2.	INSPECT AUTO HIGH BEAM SWITCH
-----------	--------------------------------------

Click here [INFO](#)

NG ► **REPLACE AUTO HIGH BEAM SWITCH**

OK
▼

3.	CHECK HARNESS AND CONNECTOR (POWER SOURCE - AUTO HIGH BEAM SWITCH)
-----------	---

(a) Measure the voltage according to the value(s) in the table below.

Standard Voltage:



[Click Location & Routing\(K77\)](#)

[Click Connector\(K77\)](#)

TESTER CONNECTION	CONDITION	SPECIFIED CONDITION
K77-3 (IND+) - Body ground	Ignition switch off	11 to 14 V

NG ► **REPAIR OR REPLACE HARNESS OR CONNECTOR**

OK
▼

4. CHECK HARNESS AND CONNECTOR (AUTO HIGH BEAM SWITCH - MAIN BODY ECU (MULTIPLEX NETWORK BODY ECU))

- (a) Disconnect the K17 main body ECU (multiplex network body ECU) connector.
- (b) Measure the resistance according to the value(s) in the table below.

Standard Resistance:



[Click Location & Routing\(K77,K17\).](#)

[Click Connector\(K77\).](#)

[Click Connector\(K17\).](#)

TESTER CONNECTION	CONDITION	SPECIFIED CONDITION
K77-4 (AZBI) - K17-15 (AHID)	Always	Below 1 Ω
K77-4 (AZBI) or K17-15 (AHID) - Body ground	Always	10 kΩ or higher

OK ▶ **REPLACE MAIN BODY ECU (MULTIPLEX NETWORK BODY ECU)** INFO

NG ▶ **REPAIR OR REPLACE HARNESS OR CONNECTOR**

