

Last Modified: 12-04-2024	6.11:8.1.0	Doc ID: RM100000028WIG
Model Year Start: 2023	Model: Prius Prime	Prod Date Range: [12/2022 -]
Title: PARK ASSIST / MONITORING: BLIND SPOT MONITOR SENSOR: ECU DATA SAVE/WRITE; 2023 - 2024 MY Prius Prius Prime [12/2022 -]		

ECU DATA SAVE/WRITE

PROCEDURE

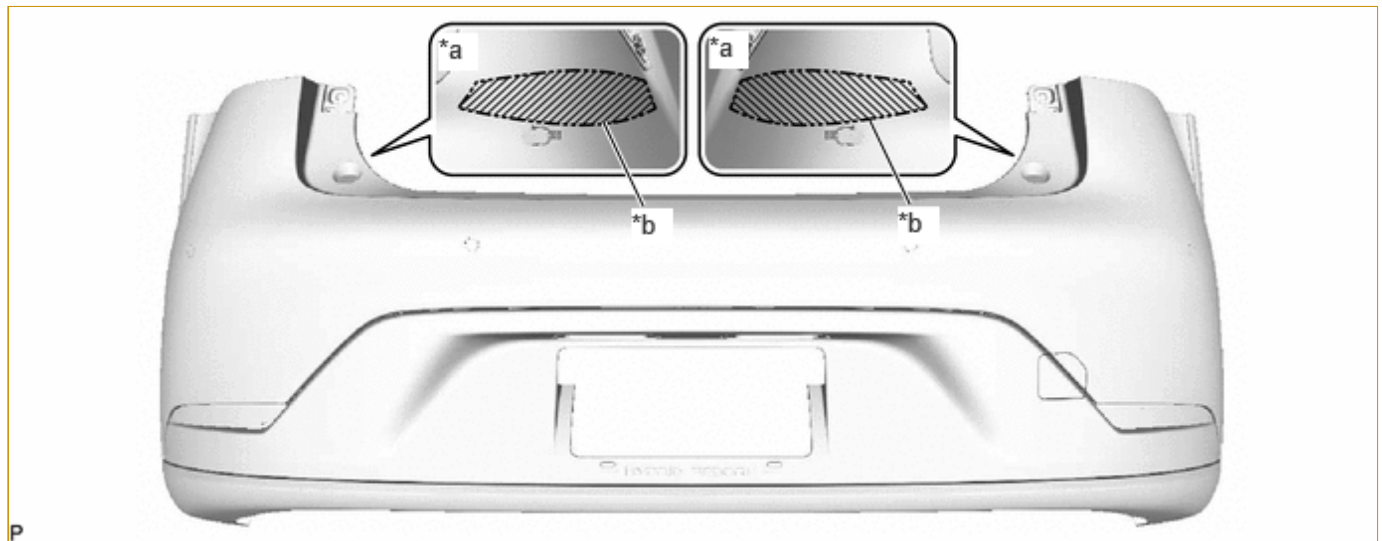
1. BSM ECU DATA SAVE

NOTICE:

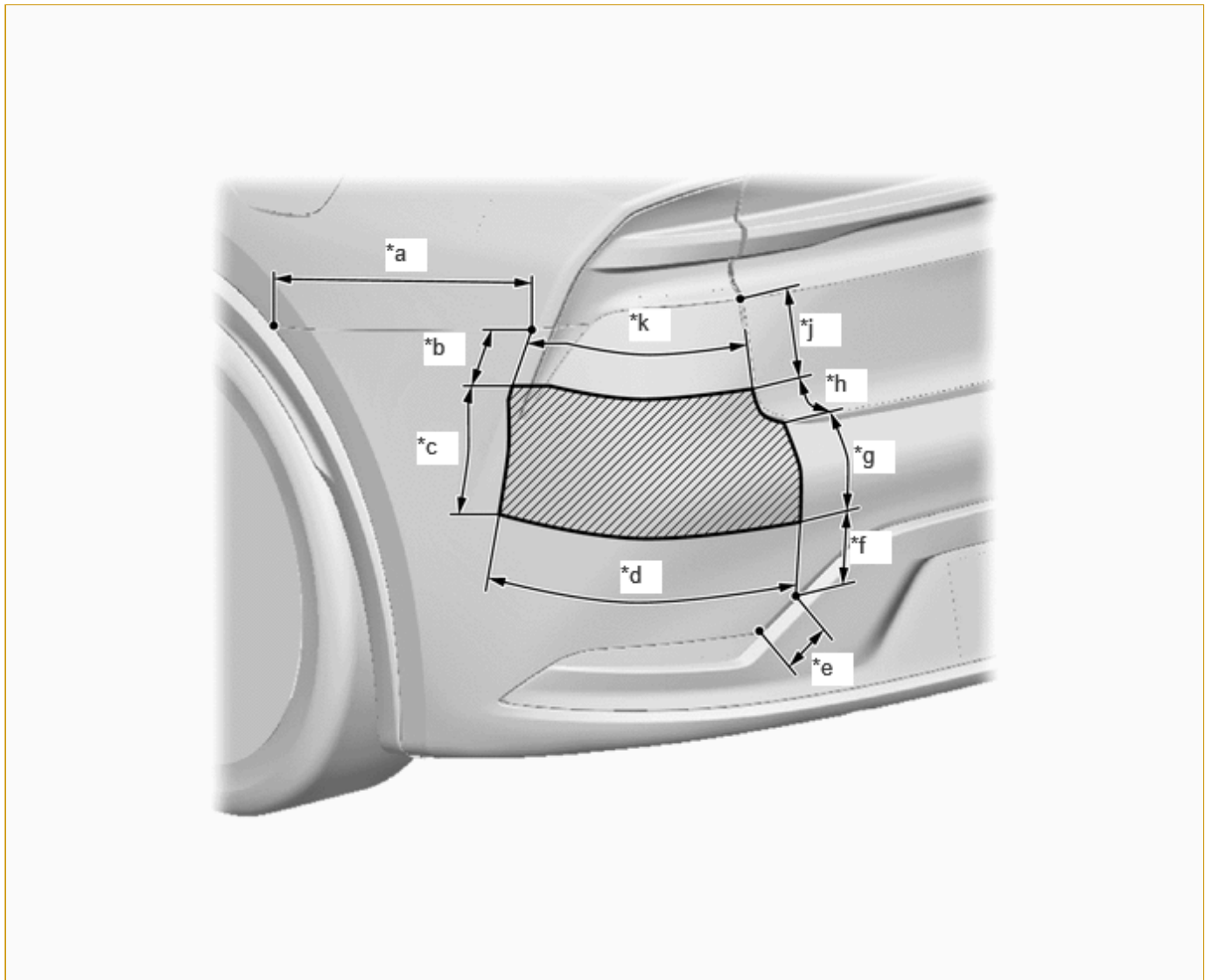
In the following situations, perform "Blind Spot Monitor Beam Axis Confirmation" or "Check Reflection Power" after replacing the blind spot monitor sensor with a new one as the values of the beam axis alignment cannot be stored by the GTS.


- When a minor collision is suspected.
- When body repairs have been performed on the vehicle.
- For a vehicle in which the system frequently operates inappropriately or fails to operate.
- When a DTC for rear side radar sensor (module "B") beam axis misalignment (horizontal) or rear side radar sensor (module "A") beam axis misalignment (horizontal) has been stored.
- When vehicle control history (RoB) code for rear side radar sensor (module "B") beam axis not adjusted or rear side radar sensor (module "A") beam axis not adjusted has been stored.
- When vehicle control history (RoB) code for rear side radar sensor (module "B") blockage or rear side radar sensor (module "A") blockage has been stored.
- When vehicle control history (RoB) code for rear side radar sensor (module "B") blockage Level 2 or rear side radar sensor (module "A") blockage Level 2 has been stored.
- If body repair has been performed at a radio wave transmission area of the rear bumper cover, make sure to perform "Check Reflection Power".

Click here [INFO](#)



*a	Bumper Rear Side	*b	Scribed Line
	Radio Wave Transmission Area	-	-



*a	424 mm (16.69 in.)	*b	75 mm (2.95 in.)
*c	179 mm (7.05 in.)	*d	413 mm (16.26 in.)
*e	50 mm (1.97 in.)	*f	118 mm (4.65 in.)
*g	139 mm (5.47 in.)	*h	70 mm (2.76 in.)
*j	114 mm (4.49 in.)	*k	333 mm (13.11 in.)
	Radio Wave Transmission Area	-	-

HINT:

By performing BSM "B" ECU data save or BSM "A" ECU data save, it becomes possible to save the beam axis adjustment value to the GTS.

- (a) Turn the ignition switch off.
- (b) Connect the GTS to the DLC3.
- (c) Turn the ignition switch ON.
- (d) Enter the following menus: Body Electrical / Blind Spot Monitor "B" or Blind Spot Monitor "A" / Utility.

HINT:

The "B" is on the LH side and the "A" is on the RH side.

Body Electrical > Blind Spot Monitor "B" > Utility

TESTER DISPLAY
BSM "B" ECU Data Save

Body Electrical > Blind Spot Monitor "A" > Utility

TESTER DISPLAY
BSM "A" ECU Data Save

(e) Check the results displayed for the BSM "B" ECU data save or BSM "A" ECU data save.

2. BSM ECU DATA WRITE**NOTICE:**

- Before replacing the blind spot monitor sensor RH, read the values and then write them to the new blind spot monitor sensor RH.
- Before replacing the blind spot monitor sensor LH, read the values and then write them to the new blind spot monitor sensor LH.

HINT:

By performing BSM "B" ECU data write or BSM "A" ECU data write, the beam axis adjustment value from the old blind spot monitor sensor before replacement can be written to the new blind spot monitor sensor.

- Turn the ignition switch off.
- Connect the GTS to the DLC3.
- Turn the ignition switch to ON.
- Enter the following menus: Body Electrical / Blind Spot Monitor "B" or Blind Spot Monitor "A" / Utility.

HINT:

The "B" is on the LH side and the "A" is on the RH side.

Body Electrical > Blind Spot Monitor "B" > Utility

TESTER DISPLAY
BSM "B" ECU Data Write

Body Electrical > Blind Spot Monitor "A" > Utility

TESTER DISPLAY
BSM "A" ECU Data Write

(e) Check the results displayed for the BSM "B" ECU data write or BSM "A" ECU data write.

