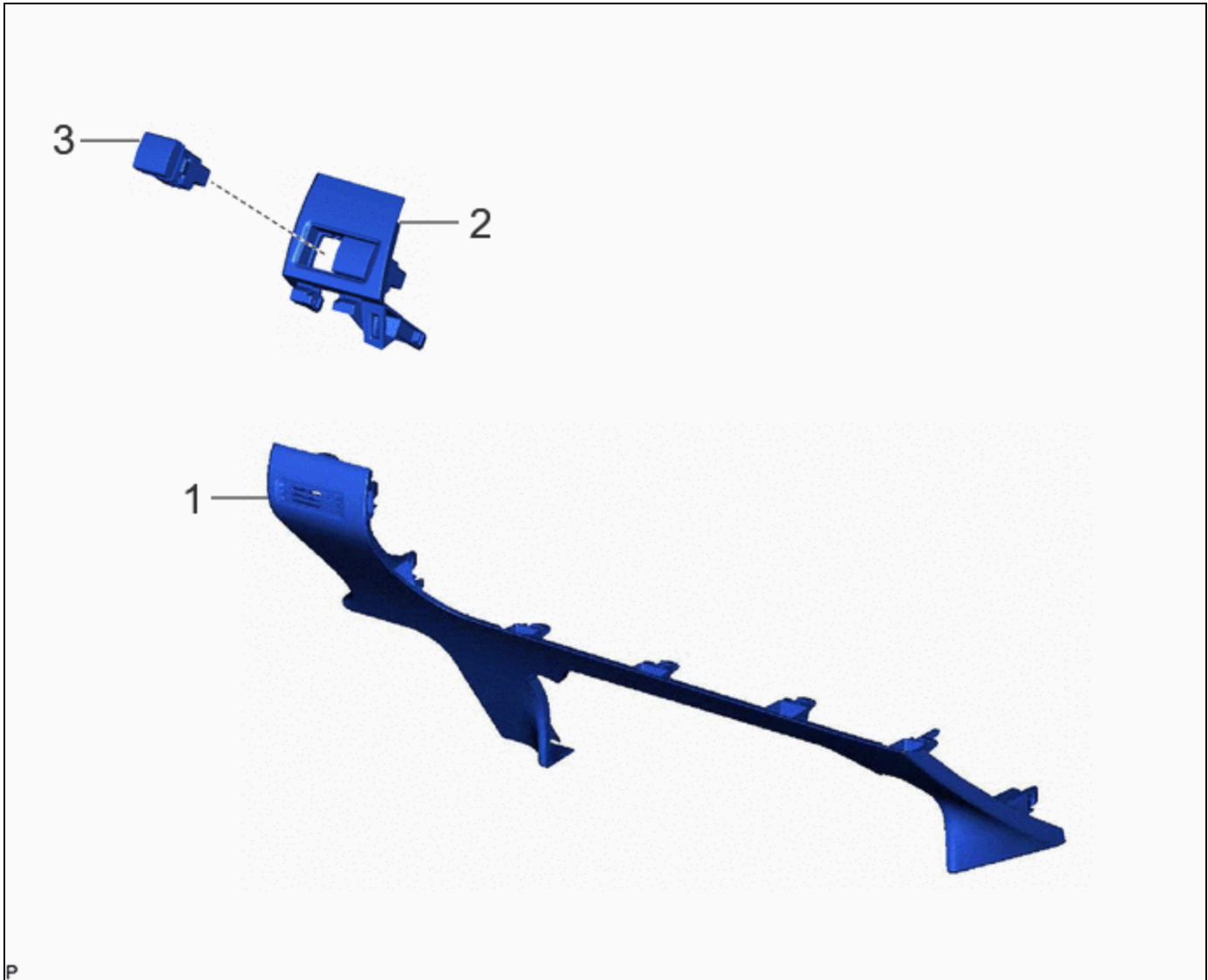


Last Modified: 12-04-2024	6.11:8.1.0	Doc ID: RM1000000029ETT
Model Year Start: 2023	Model: Prius Prime	Prod Date Range: [12/2022 -]
Title: ADVANCED PARK: ADVANCED PARK MAIN SWITCH: REMOVAL; 2023 - 2024 MY Prius Prius Prime [12/2022 -]		




REMOVAL

CAUTION / NOTICE / HINT

COMPONENTS (REMOVAL)



	PROCEDURE	PART NAME CODE			
1	LOWER CENTER INSTRUMENT PANEL FINISH PANEL	55434B	-	-	-

	PROCEDURE	PART NAME CODE			
2	LOWER CENTER INSTRUMENT CLUSTER FINISH PANEL SUB-ASSEMBLY	55406B	-	-	-
3	IPA MAIN SWITCH ASSEMBLY	84490D	-	-	-

PROCEDURE

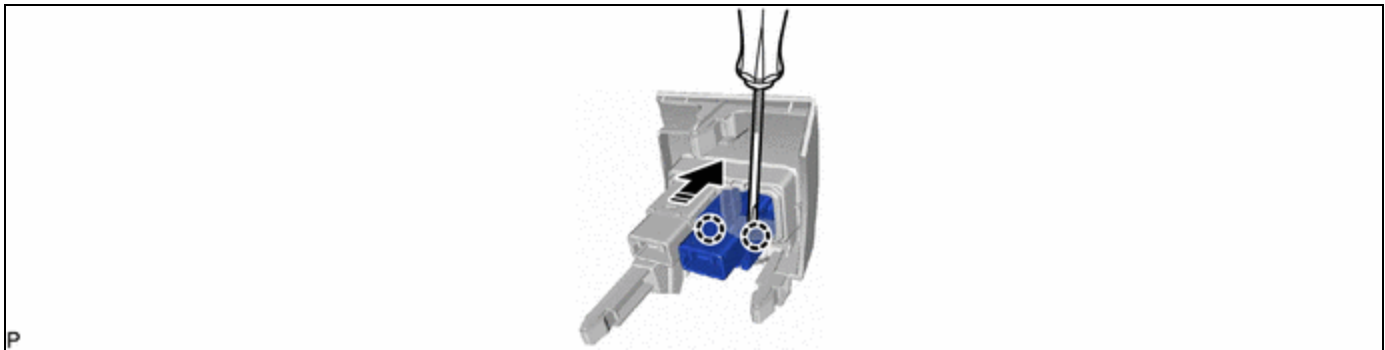
1. REMOVE LOWER CENTER INSTRUMENT PANEL FINISH PANEL


Click here [INFO](#)

2. REMOVE LOWER CENTER INSTRUMENT CLUSTER FINISH PANEL SUB-ASSEMBLY

Click here [INFO](#)

3. REMOVE IPA MAIN SWITCH ASSEMBLY



	Remove in this Direction	-	
---	--------------------------	---	--

