

<b>Last Modified:</b> 12-04-2024	6.11:8.1.0	<b>Doc ID:</b> RM100000029C1S
<b>Model Year Start:</b> 2023	<b>Model:</b> Prius Prime	<b>Prod Date Range:</b> [12/2022 - ]
<b>Title:</b> ADVANCED PARK: ADVANCED PARK: Vehicle does not Move to Set Parking Position; 2023 - 2024 MY Prius Prius Prime [12/2022 - ]		

**Vehicle does not Move to Set Parking Position**

## CAUTION / NOTICE / HINT

### NOTICE:

- Depending on the parts that are replaced or operations that are performed during vehicle inspection or maintenance, calibration of other systems as well as the simple advanced parking guidance system may be needed.

Click here [INFO](#)

- If initialization is necessary while performing an inspection, perform initialization first and then proceed to the next step.

## PROCEDURE

<b>1.</b>	<b>CHECK TIRE SIZE</b>
-----------	------------------------

- (a) Check that the tire pressure and tire size are as specified.
- (b) Check that there is no excessive wear on the tires.

RESULT	PROCEED TO
Tire size is as specified and there is no excessive wear	A
Tire size is not as specified but there is no excessive wear	
Tire size is as specified but there is excessive wear	B
Tire size is not as specified and there is excessive wear	
Tire size is totally different from specified size	

**B** **REPLACE TIRES**

**A**

<b>2.</b>	<b>CHECK PROBLEM SYMPTOM</b>
-----------	------------------------------

- (a) Check advanced park.
  - (1) Move the vehicle to a flat area with parking lines.

**NOTICE:**

This check involves moving the vehicle. Use a large area where safety can be assured.

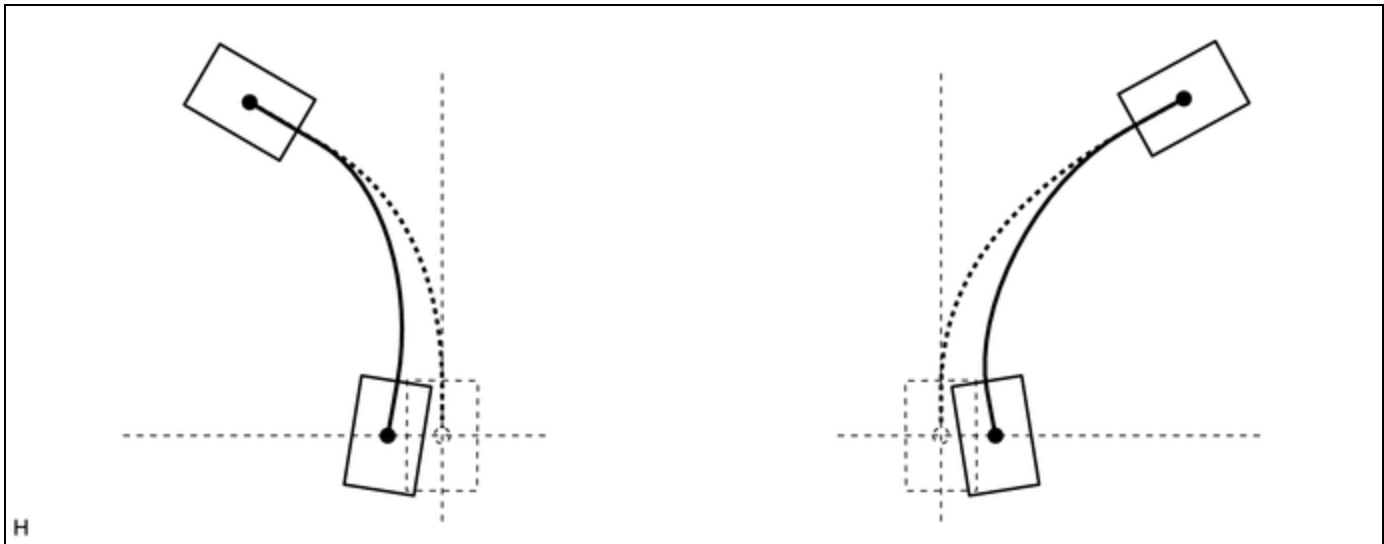
(2) Activate the advanced park and park the vehicle. Check the displacement of the vehicle from the target parking position.

**HINT:**

Begin the check with the vehicle at a 45° angle to the parking space. Park the vehicle from the right and left side of the parking space.

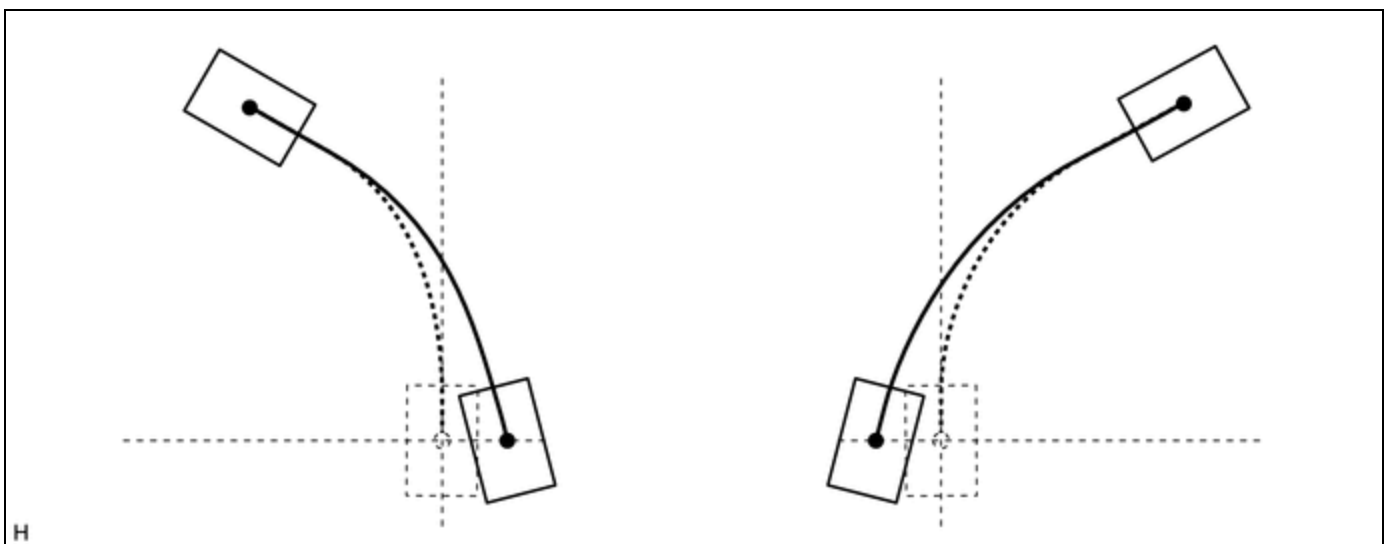
(b) Check problem symptom

(1) Case 1



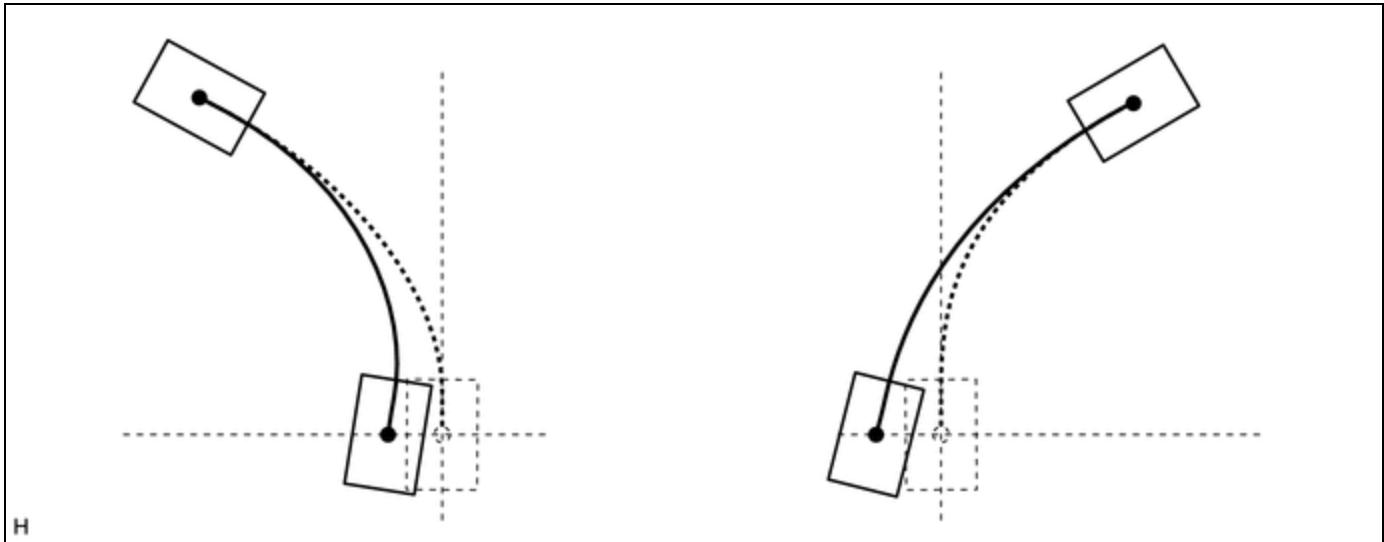
PROBLEM	CAUSE	PROCEED TO
Vehicle stops as shown in the illustration	<ul style="list-style-type: none"> <li>Actual turning radius is small</li> <li>Screen out of adjustment</li> </ul>	A

(2) Case 2



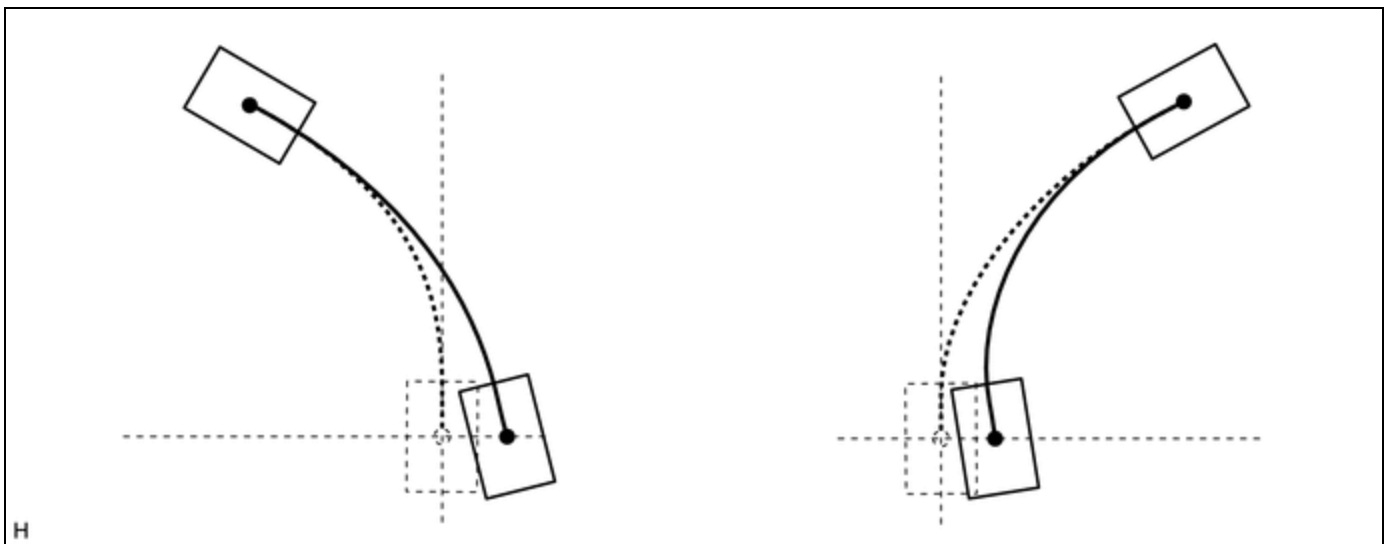
PROBLEM	CAUSE	PROCEED TO
Vehicle stops as shown in the illustration	<ul style="list-style-type: none"> <li>Actual turning radius is large</li> <li>Screen out of adjustment</li> </ul>	B

(3) Case 3



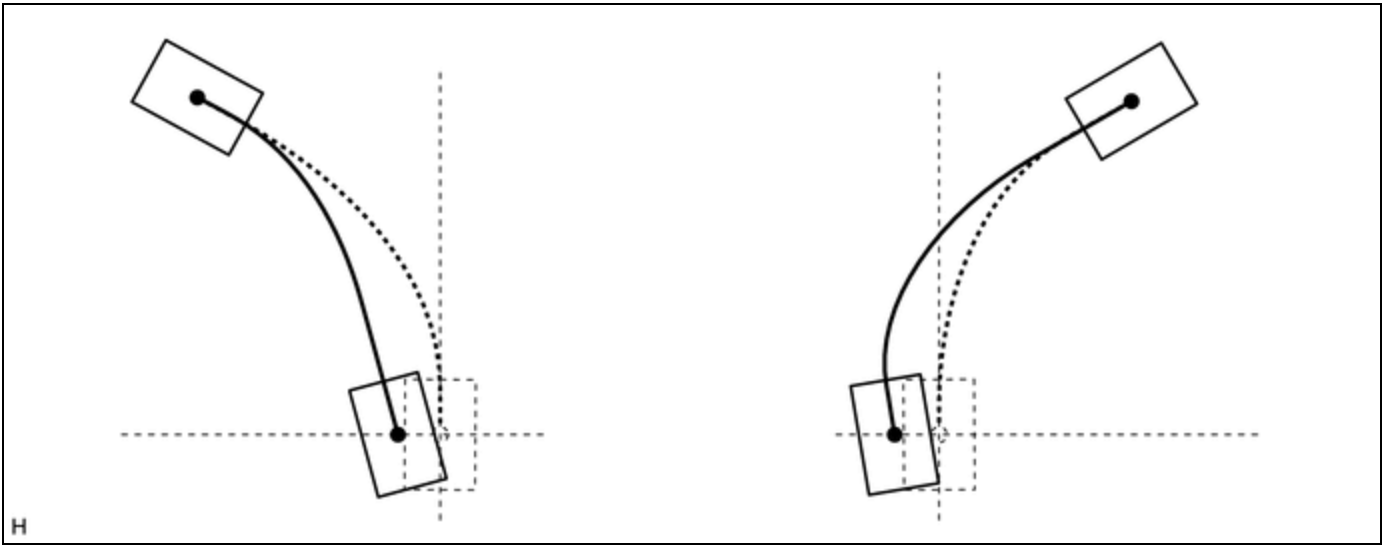
PROBLEM	CAUSE	PROCEED TO
Vehicle stops as shown in the illustration	Screen out of adjustment	C

(4) Case 4



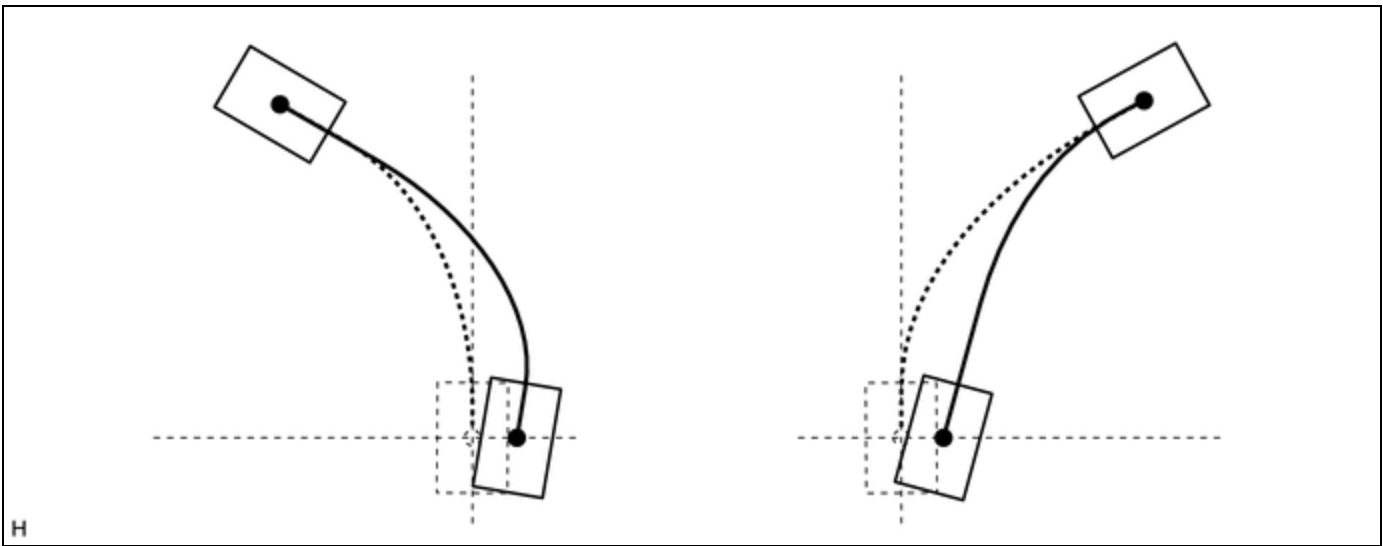
PROBLEM	CAUSE	PROCEED TO
Vehicle stops as shown in the illustration	Screen out of adjustment	C

(5) Case 5



PROBLEM	CAUSE	PROCEED TO
Vehicle stops as shown in the illustration	Screen out of adjustment	C

(6) Case 6



PROBLEM	CAUSE	PROCEED TO
Vehicle stops as shown in the illustration	Screen out of adjustment	C

RESULT	PROCEED TO
Case 1	A
Case 2	B
Case 3	C
Case 4	
Case 5	

RESULT	PROCEED TO
Case 6	

**B** ► **GO TO STEP 4**

**C** ► **GO TO STEP 6**

**A**  
▼

### 3. CHECK WHEEL ALIGNMENT

(a) Perform the front wheel alignment inspection.

**HINT:**

For alignment inspection, follow the toe-in and camber specifications.

Click here [INFO](#)

OK:

Alignment is within specifications.

(b) Perform the rear wheel alignment inspection.

**HINT:**

For alignment inspection, follow the toe-in and camber specifications.

Click here [INFO](#)

OK:

Alignment is within specifications.

**OK** ► **REPLACE PARKING ASSIST ECU**

**NG** ► **ADJUST WHEEL ALIGNMENT**

for Front Wheel: Click here [INFO](#)

for Rear Wheel: Click here [INFO](#)

### 4. CHECK WHEEL ALIGNMENT

(a) Perform the front wheel alignment inspection.

**HINT:**

For alignment inspection, follow the toe-in and camber specifications.

Click here [INFO](#)

OK:

Alignment is within specifications.

(b) Perform the rear wheel alignment inspection.

**HINT:**

For alignment inspection, follow the toe-in and camber specifications.

Click here [INFO](#)

OK:

Alignment is within specifications.

**NG ▶ ADJUST WHEEL ALIGNMENT**

for Front Wheel: Click here [INFO](#)

for Rear Wheel: Click here [INFO](#)

**OK**



**5. PERFORM SETTINGS (VIEW ADJUSTMENT)**

(a) Perform the following settings.

(1) Refer to camera view adjustment.

Click here [INFO](#)

(b) Operate the advanced park and check if the malfunction recurs.

OK:

Returned to normal.

**OK ▶ END**

**NG ▶ REPLACE PARKING ASSIST ECU**

**6. PERFORM SETTINGS (VIEW ADJUSTMENT)**

(a) Perform the following settings.

(1) Refer to camera view adjustment.

Click here [INFO](#)

(b) Operate the advanced park and check if the malfunction recurs.

OK:

Returned to normal.

**OK** ▶ **END****NG****7. CHECK WHEEL ALIGNMENT**

(a) Perform the front wheel alignment inspection.

**HINT:**

For alignment inspection, follow the toe-in and camber specifications.

Click here [INFO](#)

OK:

Alignment is within specifications.

(b) Perform the rear wheel alignment inspection.

**HINT:**

For alignment inspection, follow the toe-in and camber specifications.

Click here [INFO](#)

OK:

Alignment is within specifications.

**OK** ▶ **REPLACE PARKING ASSIST ECU****NG** ▶ **ADJUST WHEEL ALIGNMENT**

for Front Wheel: Click here [INFO](#)

for Rear Wheel: Click here [INFO](#)

