

**2000-06 ACCESSORIES & EQUIPMENT**

**Seats - Insight**

**SEAT REMOVAL/INSTALLATION**

**NOTE: Take care not to scratch the body or tear the seat covers.**

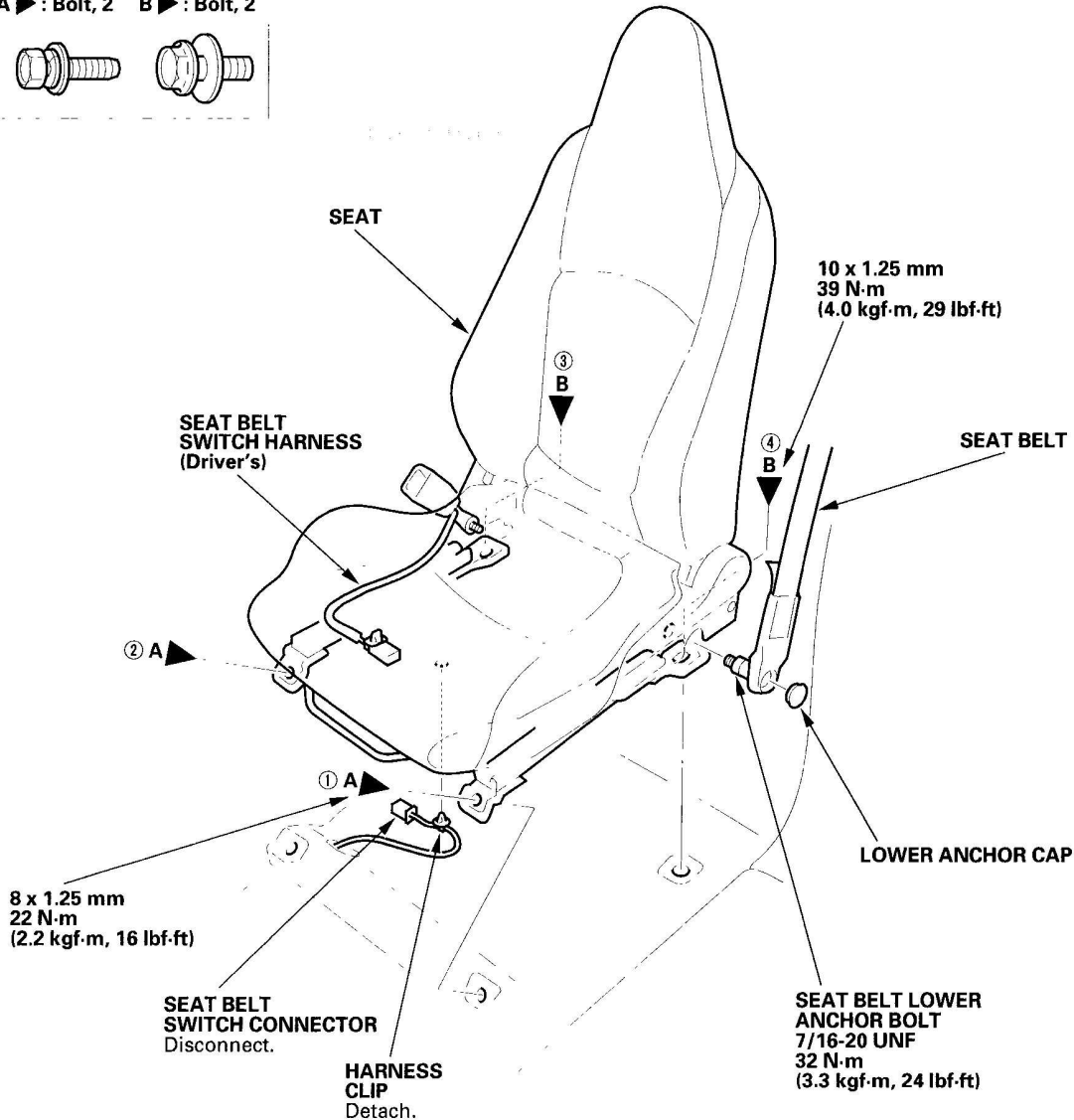
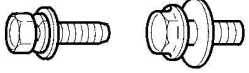
1. Remove the seat as shown.
2. Install the seat in the reverse order of removal, and note these items:
  - Make sure the seat belt switch connector on the driver's seat is plugged in properly.
  - Apply liquid thread lock to the seat mounting bolts and the anchor bolt before reinstallation.
  - Tighten the seat mounting bolts to the specified torque in the sequence shown. Slide the seat all the way back and tighten 1 and 2, then slide it forward and tighten 3 and 4.
  - Before installing the seat belt lower anchor bolt, make sure there are no twists or kinks in the seat belt.

# 2006 Honda Insight

2000-06 ACCESSORIES & EQUIPMENT Seats - Insight

## Fastener Locations

A ▶ : Bolt, 2    B ▶ : Bolt, 2



G03682602

**Fig. 1: Removing Seat From Vehicle And Torque Specifications**  
Courtesy of AMERICAN HONDA MOTOR CO., INC.

## SEAT DISASSEMBLY/REASSEMBLY

### Special Tools Required

KTC trim tool set SOJATP2014 \*

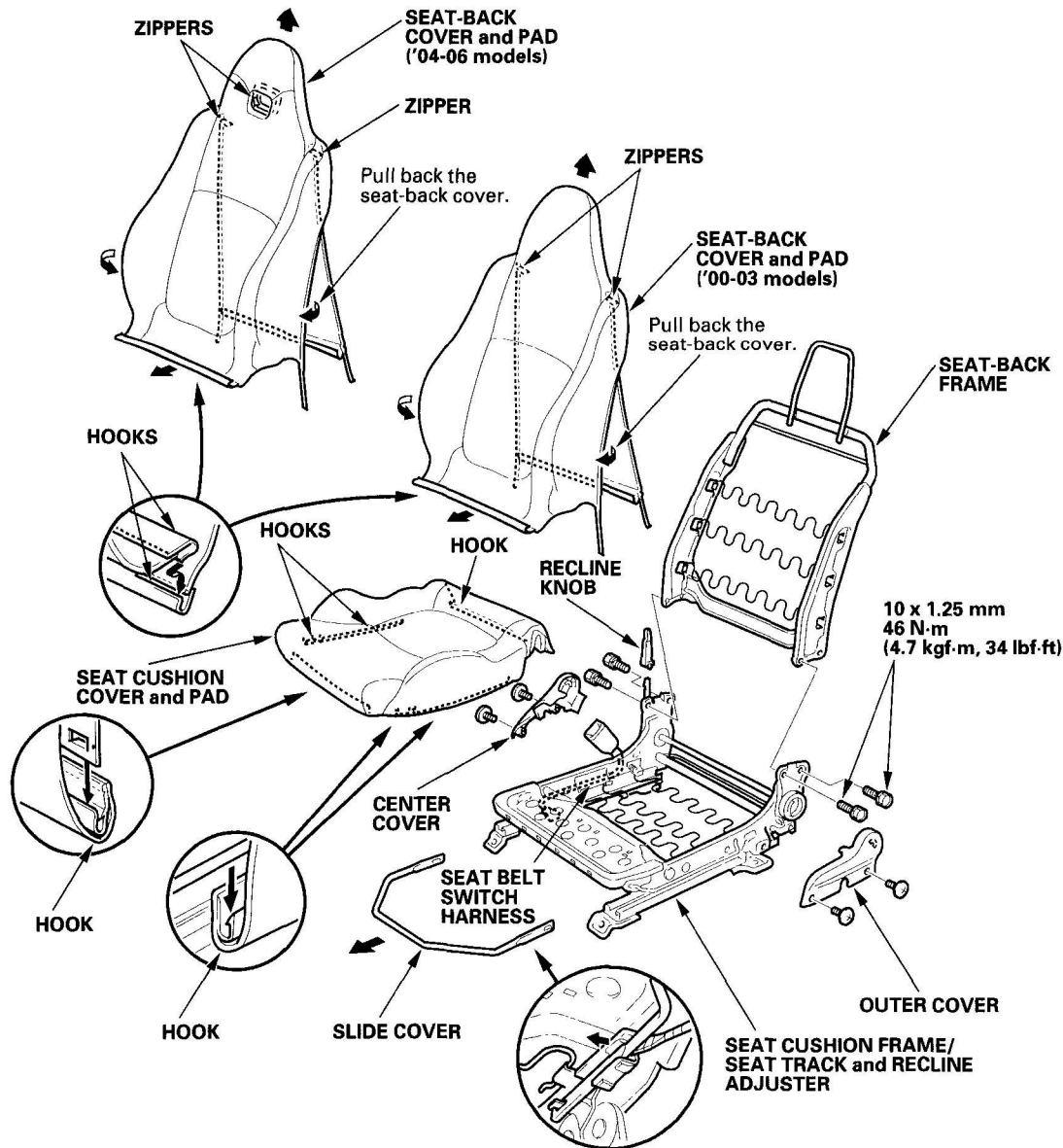
\* Available through the American Honda Tool and Equipment Program; call 888-424-6857

**NOTE:**

- **Take care not to tear the seams or damage the seat covers.**
- **Put on gloves to protect your hands.**
- **Use the appropriate tool from the KTC trim tool set to avoid damage when prying components.**
- **The driver's seat is shown, the passenger's seat is symmetrical (except the seat belt switch harness).**
- **Apply multipurpose grease to the moving portion of the seat track.**
- **To prevent wrinkles in the seat-back cover, stretch the material evenly over the pad.**

## 2006 Honda Insight

2000-06 ACCESSORIES & EQUIPMENT Seats - Insight



G03682603

**Fig. 2: Disassembling Seat Components And Torque Specifications**  
Courtesy of AMERICAN HONDA MOTOR CO., INC.

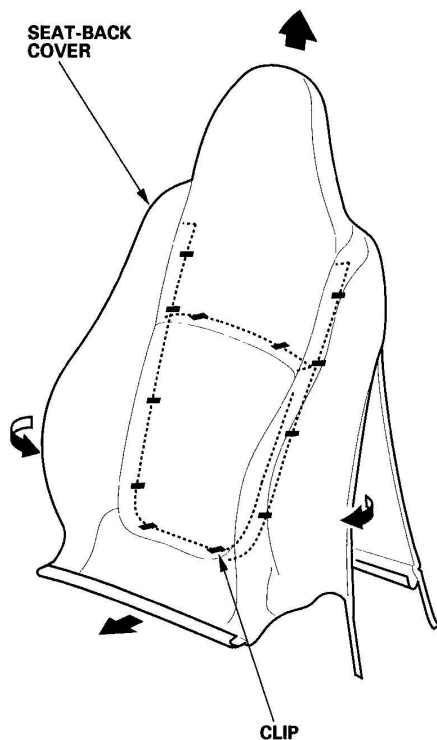
### SEAT COVER REPLACEMENT

#### NOTE:

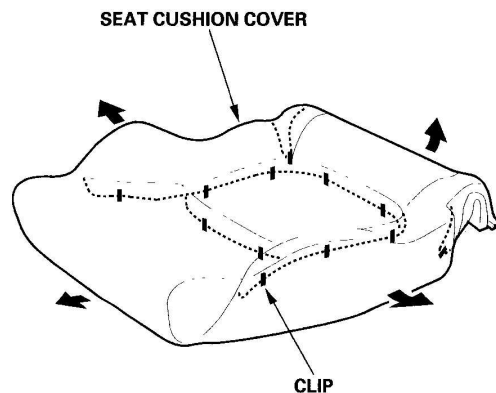
- Take care not to tear the seams or damage the seat covers.
- Put on gloves to protect your hands.

1. Remove the seat (see **SEAT REMOVAL/INSTALLATION** ), and remove the seat-back or seat cushion pad and cover (see **SEAT DISASSEMBLY/REASSEMBLY** ).
2. Remove the seat cover as shown.
3. Install the seat cover in the reverse order of removal, and note these items:
  - To prevent wrinkles when installing a seat cover, make sure the material is stretched evenly over the pad before securing the clips.
  - Replace the released clips with new ones using commercially available upholstery pliers.

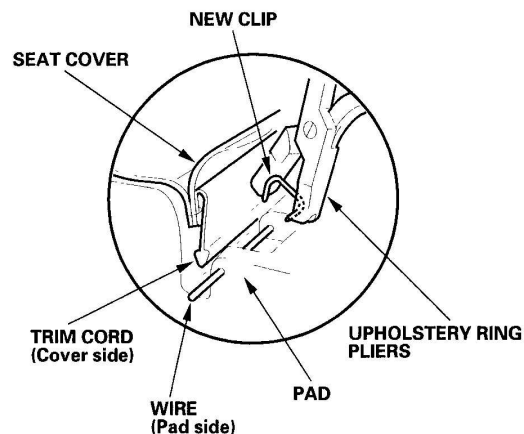
Seat-back



Seat cushion



Clip installation



G03682604

**Fig. 3: Removing Seat Cover**

**2006 Honda Insight**

2000-06 ACCESSORIES & EQUIPMENT Seats - Insight

**Courtesy of AMERICAN HONDA MOTOR CO., INC.**