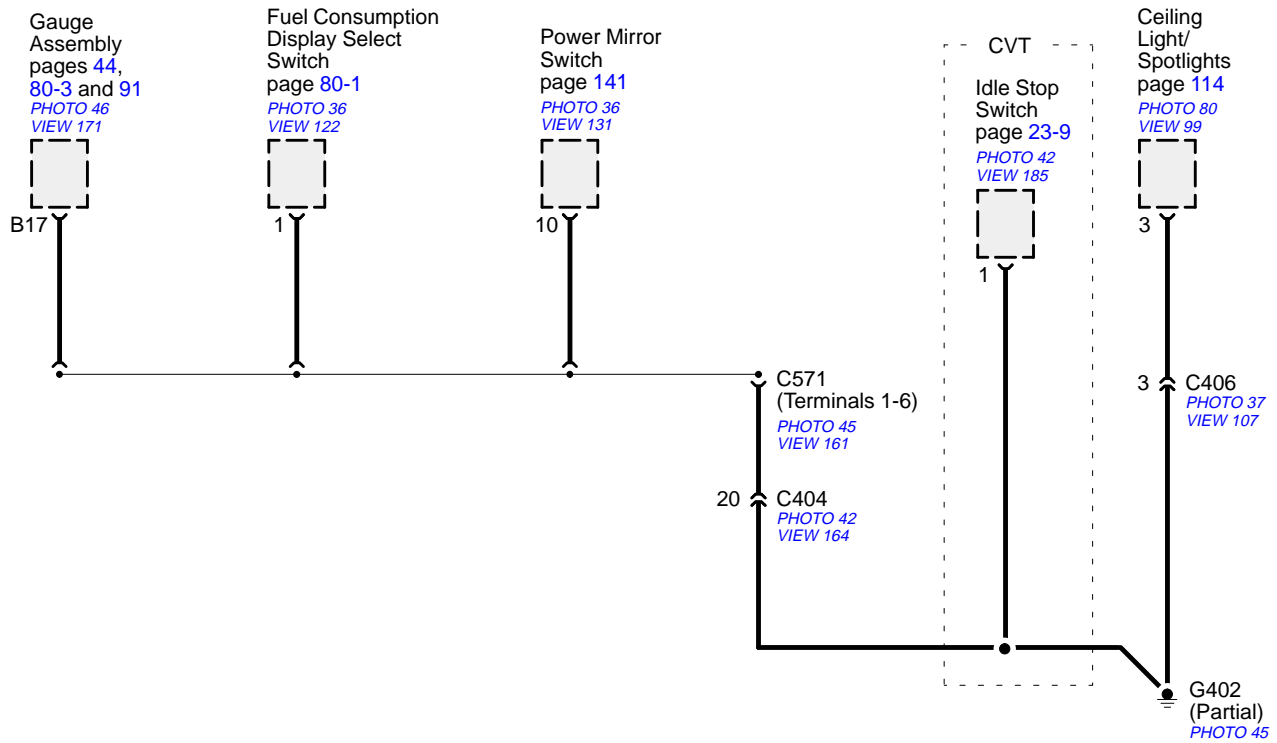


# Ground Distribution

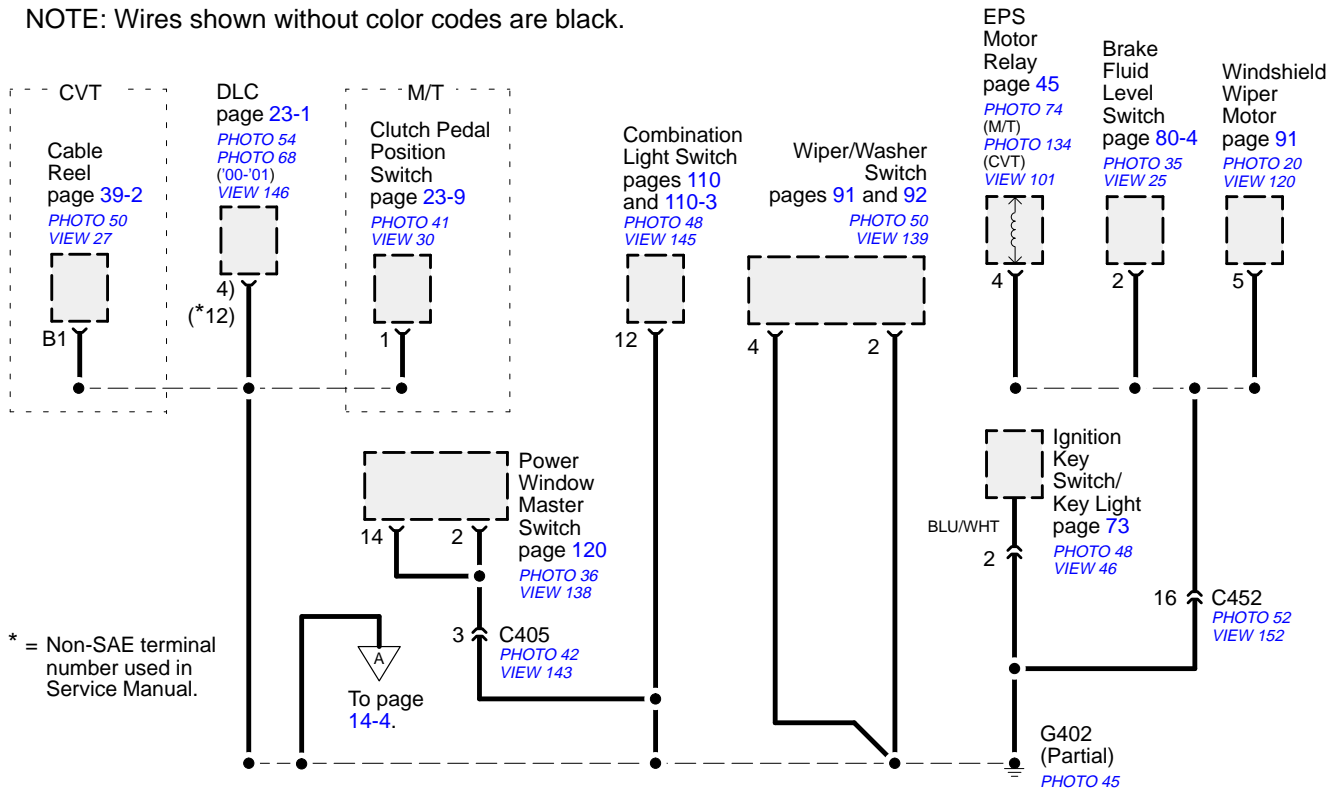
## G402

NOTE: Wires shown without color codes are black.



## G402

NOTE: Wires shown without color codes are black.



\* = Non-SAE terminal number used in Service Manual.