

Frame Repair Chart

Side View

Unit: mm (in.)

∅: Inner diameter

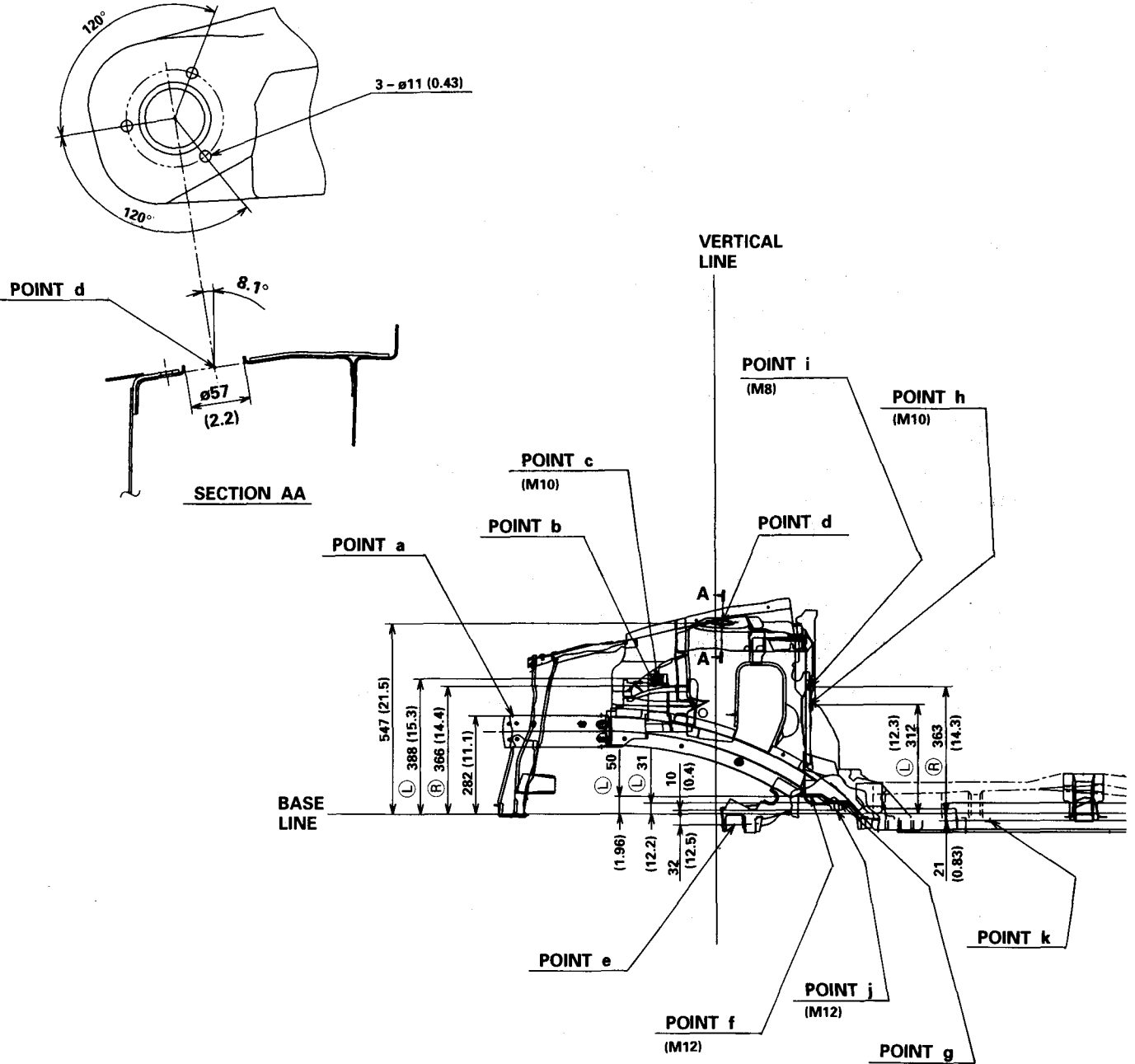
Ⓛ: Left side

Ⓡ: Right side

POINT

POINT

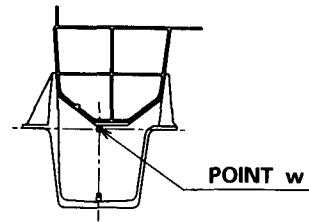
a	Locate hole ∅10.5 (0.41)	g	For engine rear mount ∅12.2 (0.48)
b	Engine mount center	h	Steering gear box ∅11 (0.43)
c	For transmission mount ∅10.5 (0.41)	i	Steering gear box ∅9 (0.35)
d	Front damper center ∅57 (2.2)	j	For lower arm bush ∅12.2 (0.48)
e	Lower arm bush center	k	Locate hole ∅26.8 (1.06)
f	For engine rear mount ∅12.2 (0.48)		



POINT

POINT

l	Locate hole $\varnothing 26.8$ (1.06)	s	For fuel tank strap $\varnothing 11$ (0.433)
m	For fuel tank strap $\varnothing 12$ (0.476)	t	For fuel tank strap $\varnothing 12$ (0.476)
n	For fuel tank strap $\varnothing 12$ (0.476)	u	Rear damper bush center
o	For trailing arm bracket $\varnothing 12$ (0.476)	v	Locate hole $\varnothing 26.6$ (1.05)
p	Locate hole $\varnothing 26.6$ (1.05)	w	Coil spring base center
q	For trailing arm bracket $\varnothing 12$ (0.476)	X	Locate hole $\varnothing 26.6$ (1.05)
r	For trailing arm bracket $\varnothing 12$ (0.476)	Y	Locate hole $\varnothing 26.6$ (1.05)



SECTION BB

