

# Frame Repair Chart

## Top View

Unit: mm (in.)

∅: Inner diameter

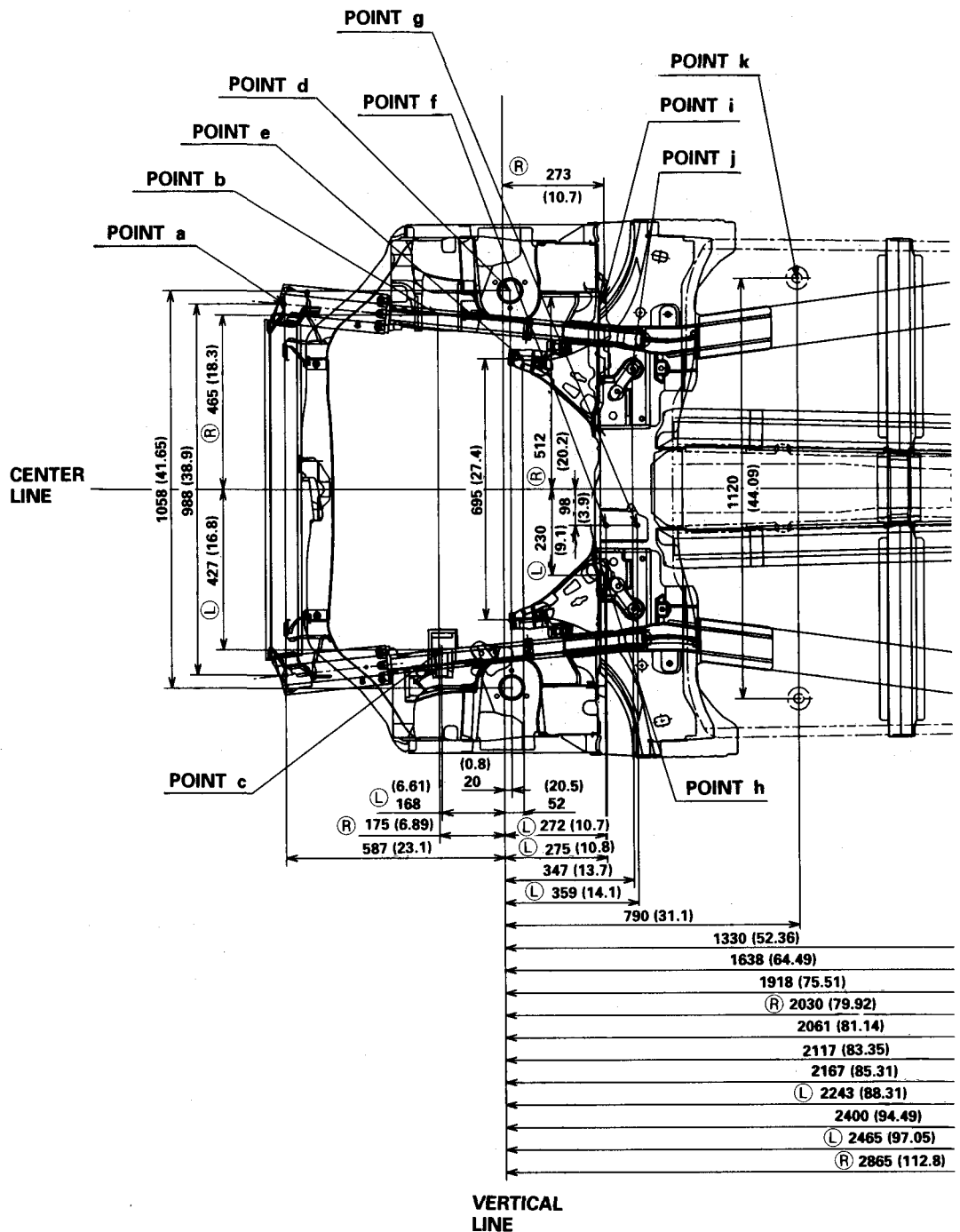
Ⓛ: Left side

Ⓡ: Right side

### POINT

### POINT

- |   |                                     |   |                                    |
|---|-------------------------------------|---|------------------------------------|
| a | Locate hole ∅10.5 (0.41)            | g | For engine rear mount ∅12.2 (0.48) |
| b | Engine mount center                 | h | Steering gear box ∅11 (0.43)       |
| c | For transmission mount ∅10.5 (0.41) | i | Steering gear box ∅9 (0.35)        |
| d | Front damper center ∅57 (2.2)       | j | For lower arm bush ∅12.2 (0.48)    |
| e | Lower arm bush center               | k | Locate hole ∅26.8 (1.06)           |
| f | For engine rear mount ∅12.2 (0.48)  |   |                                    |



POINT

POINT

- |   |  |   |                                       |
|---|--|---|---------------------------------------|
| l | Locate hole $\phi 26.8$ (1.06)             | s | For fuel tank strap $\phi 11$ (0.433) |
| m | For fuel tank strap $\phi 12$ (0.476)      | t | For fuel tank strap $\phi 12$ (0.476) |
| n | For fuel tank strap $\phi 12$ (0.476)      | u | Rear damper bush center               |
| o | For trailing arm bracket $\phi 12$ (0.476) | v | Locate hole $\phi 26.6$ (1.05)        |
| p | Locate hole $\phi 26.6$ (1.05)             | w | Coil spring base center               |
| q | For trailing arm bracket $\phi 12$ (0.476) | X | Locate hole $\phi 26.6$ (1.05)        |
| r | For trailing arm bracket $\phi 12$ (0.476) | Y | Locate hole $\phi 26.6$ (1.05)        |

