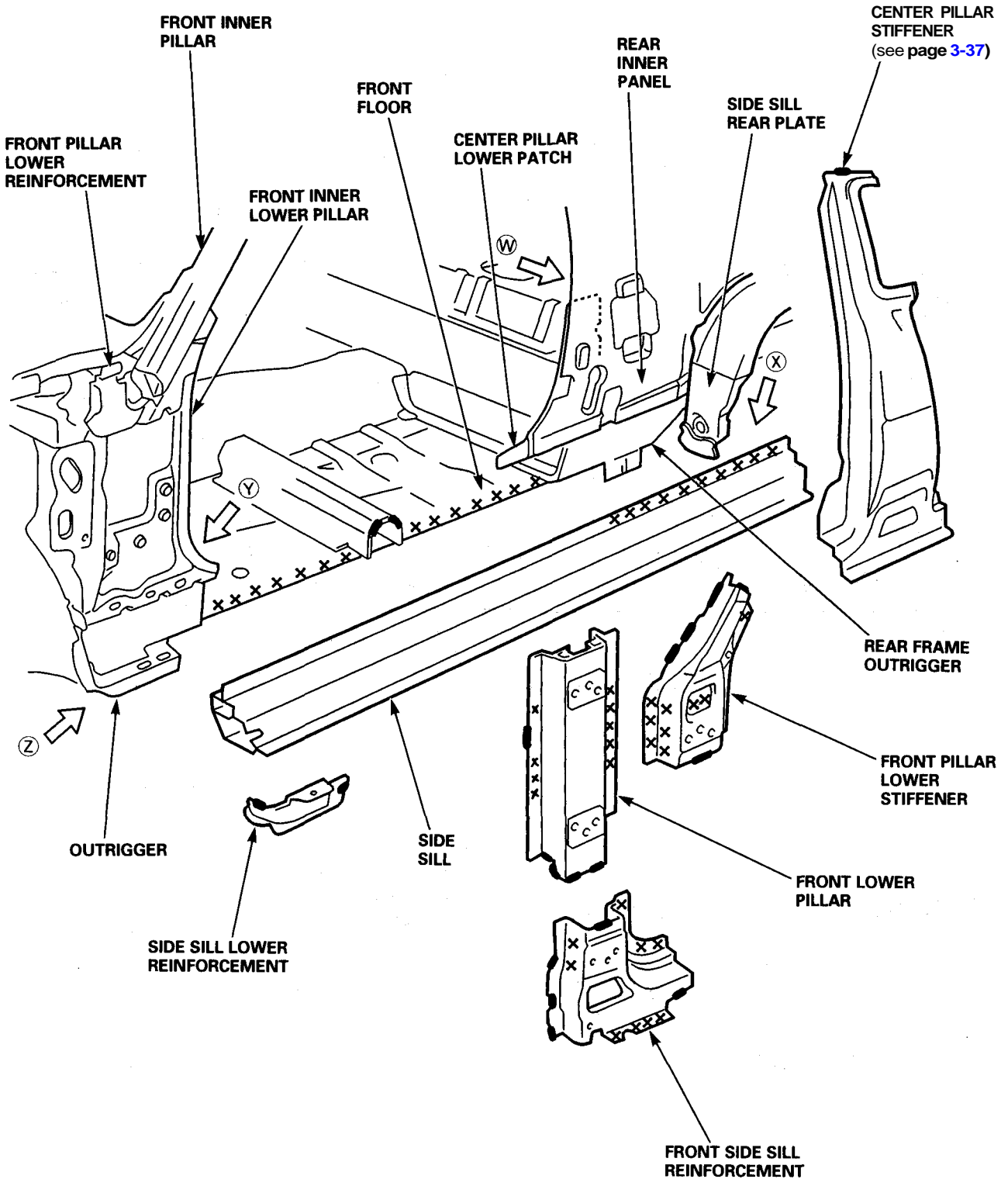
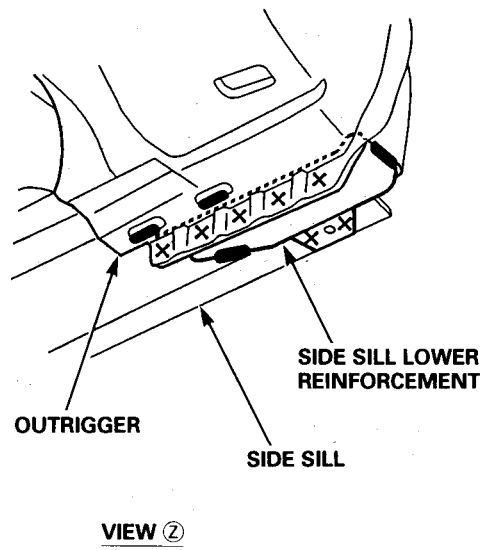
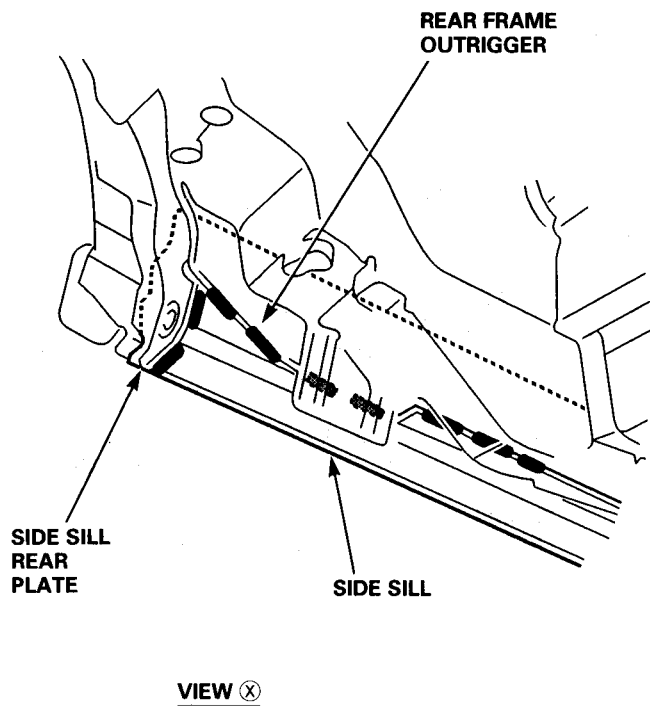
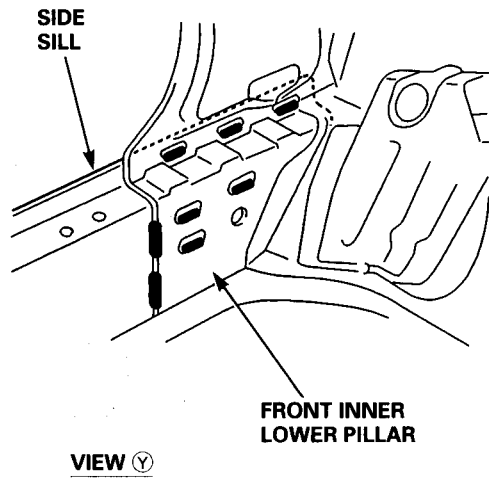
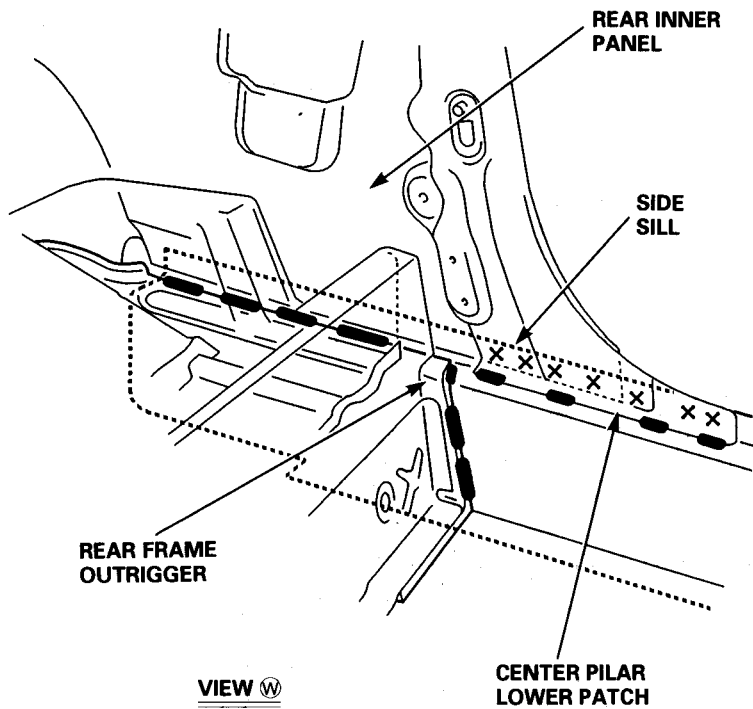


# Side Sill / Front Floor

## Removal

- The wheelhouse upper member, rear fender panel and center pillar stiffener must be removed before the side sill.





(cont'd)

# Side Sill / Front Floor

## Removal (cont'd)

- Check the front floor for damage.  
If necessary, replace the front floor.

