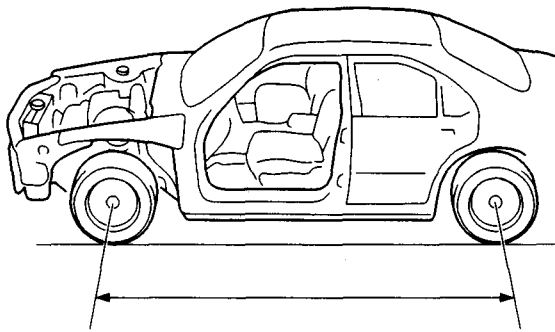


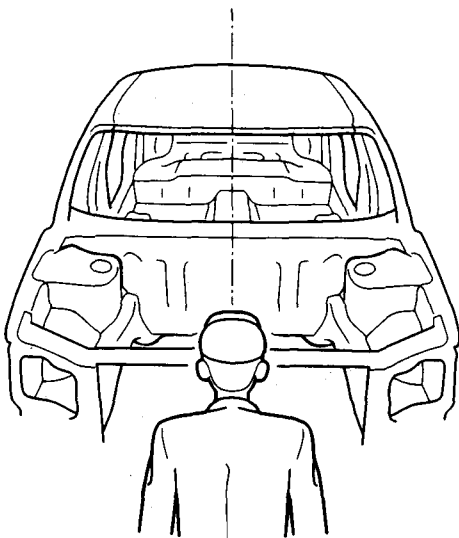
# Measurement

Whenever possible, make judgements and conclusions based on measurements.

- Measure the wheel alignment to prevent uneven tire wear or incorrect steering wheel alignment.
- If there are any deviations, use a tram-tracking gauge and measure the body parts.

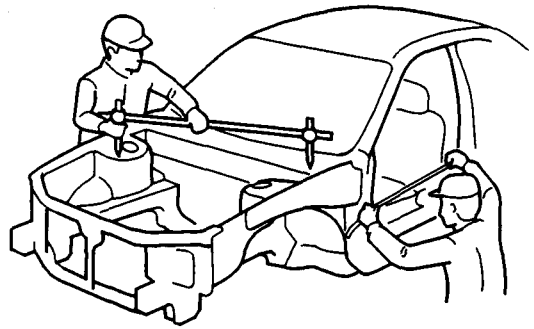


- If there is any twisting to the body, measure with a frame centering gauge.

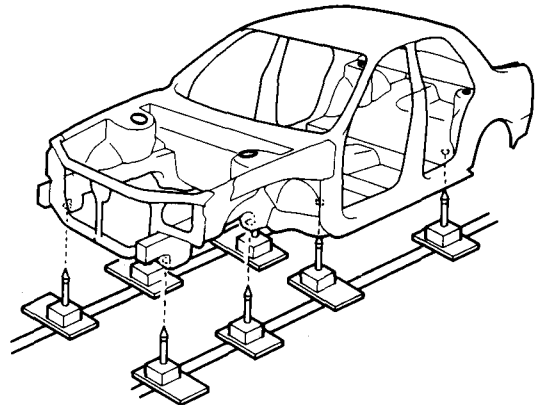


- To measure body dimensions, use a universal tram gauge and convex tool.

Body Measuring Dimension / Opening Repair Chart:



Frame Repair Chart:



Diagonal measurement:

