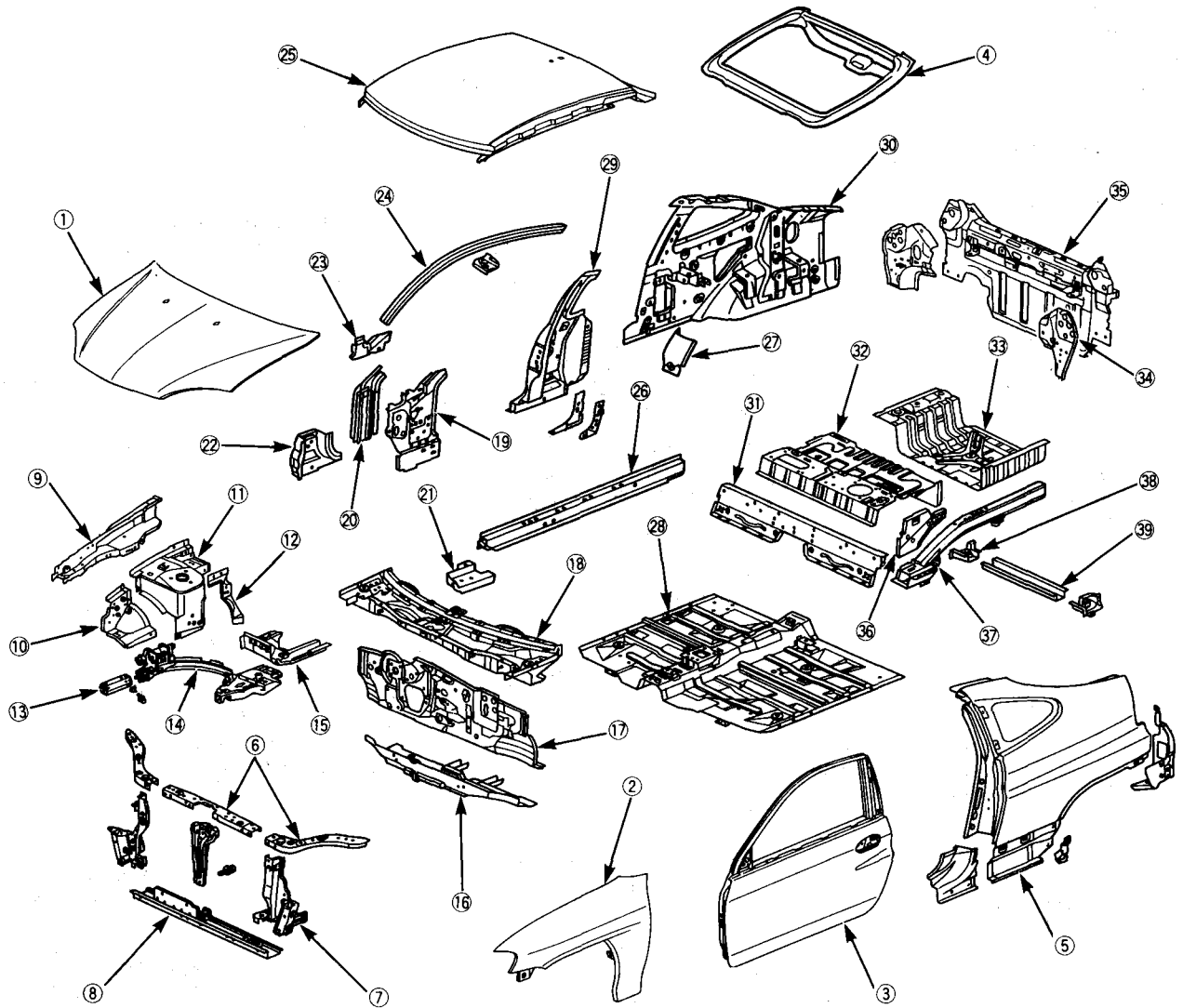


# Construction



No.	Part Name	No.	Part Name	No.	Part Name
①	Hood	⑭	Front Side Frame / Lower Arm Bracket	⑳	Side Sill Rear Plate
②	Front Fender (Plastic Part)	⑮	Front Side Outrigger	㉑	Front Floor
③	Door Panel / Skin	⑯	Dashboard Lower Cross-member	㉒	Center Pillar Stiffener
④	Hatch	⑰	Dashboard Lower	㉓	Rear Inner Panel
⑤	Rear fender Panel	⑱	Dashboard Upper	㉔	Middle Floor Cross-member
⑥	Bulkhead Upper Center and Side Frames	⑲	Front Pillar Inner Lower	㉕	Middle Floor
⑦	Bulkhead Side Stay	㉀	Front Lower Pillar	㉖	Rear Floor
⑧	Bulkhead Lower Cross-member	㉁	Side Sill Lower Reinforcement	㉗	Rear Panel Side Stiffener
⑨	Wheelhouse Upper Member	㉂	Front Side Sill Reinforcement	㉘	Rear Panel
⑩	Front Wheelhouse	㉃	Front Pillar Lower Reinforcement	㉙	Rear Frame Outrigger Stiffener
⑪	Damper Housing	㉄	Front inner Pillar	㉚	Rear Frame Outrigger / Rear Frame
⑫	Wheelhouse B	㉅	Roof Panel	㉛	Rear Damper Base
⑬	Front Side Frame Extension	㉆	Side Sill	㉜	Rear Floor Cross-member