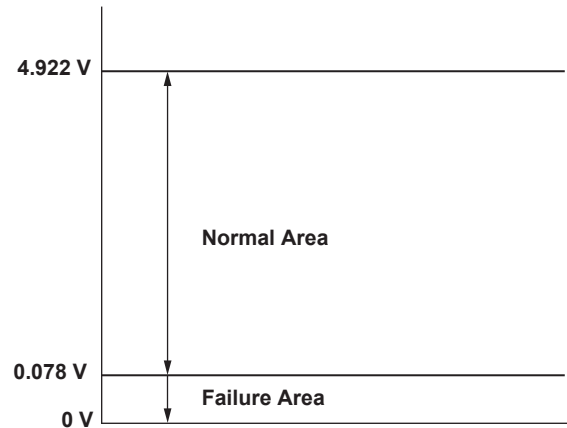
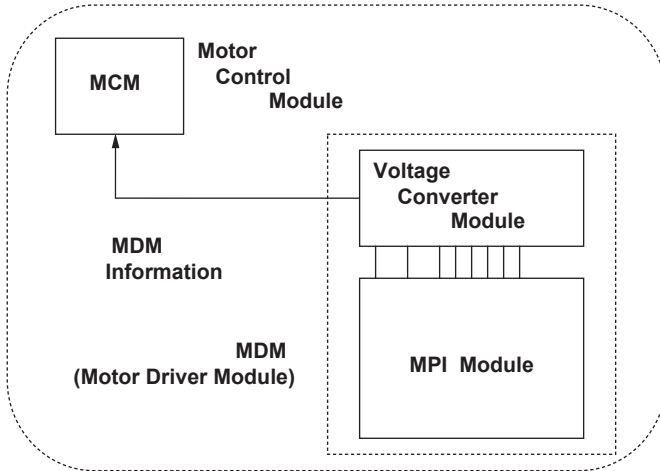


# Advanced Diagnostics

## DTC P1572 (32): Motor Drive Module (MDM) Temperature Signal Circuit Low Input

MPI Module Temperature Sensor Output Voltage



P1572-0071

### General Description

If the MCM (motor control module) control input voltage from the MPI (motor power inverter) module temperature sensor is beyond the lower limit of a set range, a short to ground in the sensor signals or a malfunction in the MCM input circuit is detected and a DTC is stored.

### Monitor Execution, Sequence, Duration, DTC Type

Execution	Continuous
Sequence	None
Duration	2 seconds or more
DTC Type	One drive cycle, MIL ON, IMA system indicator ON

### Enable Conditions

Condition	Minimum	Maximum
BCM power-supply voltage	10.5 V	—
Ignition switch	ON	
No active DTCs	MPI, MCM	

### Malfunction Threshold

The MPI module temperature sensor output voltage is less than 0.078 V for at least 2 seconds.

## **Diagnosis Details**

### **Conditions for illuminating the MIL**

When a malfunction is detected, the MIL comes on and the DTC and the freeze frame data are stored in the ECM memory.

### **Conditions for clearing the MIL**

The MIL will be cleared if the malfunction does not recur during three consecutive trips in which the diagnostic runs.

The MIL, the DTC, and the freeze frame data can be cleared by using the scan tool Clear command or by disconnecting the battery.