



INSTALLATION INSTRUCTIONS

Accessory
FLOOR MATS

Application
2002 INSIGHT

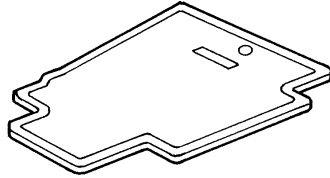
Publications No.
All 23271
Issue Date
OCT 2001

Keep this information in the glove box for future reference.

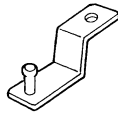
PARTS LIST

Driver's Side Floor Mat: P/N 08P15-S3Y-100

Floor mat (driver's side)



Floor mat anchor



Plastic grommet

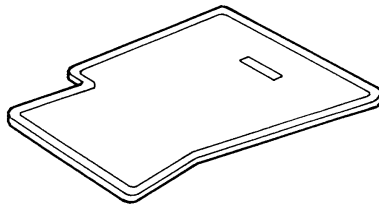


Self-tapping screw



Passenger's Side Floor Mat (sold separately): P/N 08P15-S3Y-100F (M/T) P/N 08P15-S3Y-100A (CVT)

Floor Mat
(passenger's side)



TOOLS REQUIRED

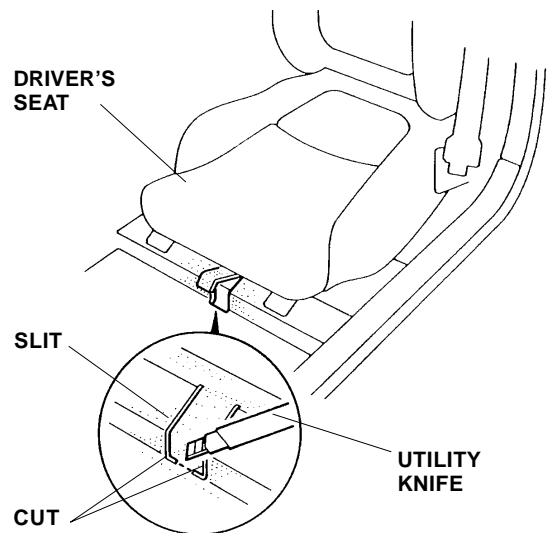
Phillips screwdriver
Utility knife

NOTE:

- A floor mat anchor is required for the driver's side of the vehicle; the anchor prevents the front floor mat from sliding forward and possibly interfering with the pedals.
- If you remove the front floor mat, make sure you re-anchor it when you put it back in your vehicle.
- If you replace the floor mat, use factory floor mats designed to be used with the floor mat anchor.
- If you use a non-factory floor mat in the driver's foot well, make sure it fits properly and that it can be used with the floor mat anchor.
- Do not put additional floor mats on top of the anchored mat, otherwise the additional mats may slide forward and possibly interfere with the pedals.

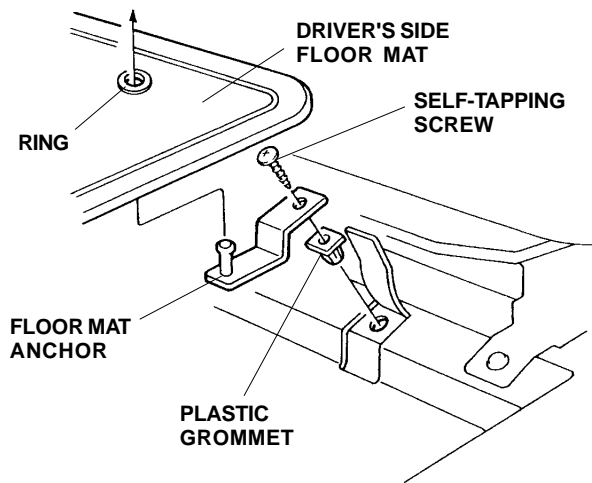
INSTALLATION

1. Slide the driver's seat all the way back. Below the driver's seat, locate the two slits in the carpet at the front edge.



2. Using a utility knife, make an additional cut in the carpet between the two slits as shown.

3. Under the slit carpet, locate the round hole in the body. Press the plastic grommet into the hole.



4. Install the floor mat anchor onto the body using the self-tapping screw. Tighten the screw securely.
5. Install the driver's side floor mat by placing the ring in the floor mat over the pin on the floor mat anchor.
6. Install the passenger's side floor mat.