

**INSTALLATION
INSTRUCTIONS**

Accessory

**CIGARETTE LIGHTER
P/N 08U96-S3Y-100**

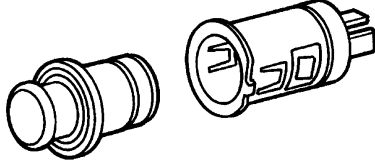
Application

2002 INSIGHT

Publications No.

All 23269

Issue Date

OCT 2001**PARTS LIST**Cigarette lighter
assembly

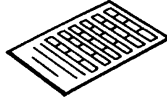
Ring



Fuse



Fuse label

**TOOLS AND SUPPLIES REQUIRED**

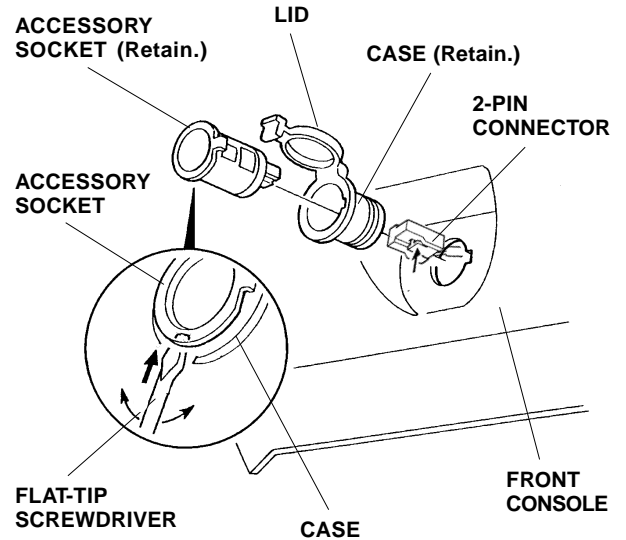
#2 Phillips screwdriver

Flat-tip screwdriver

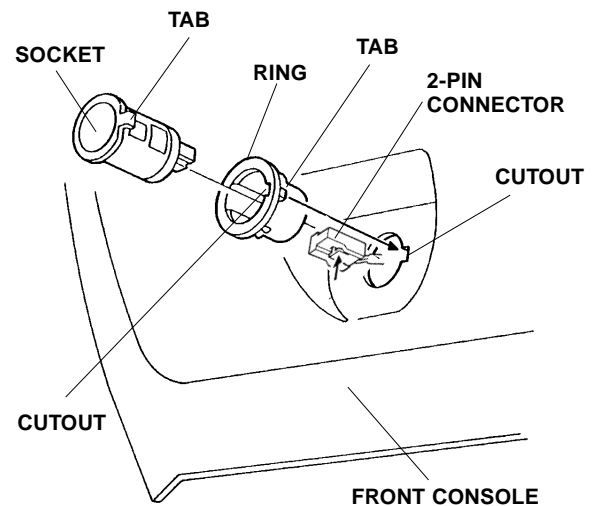
INSTALLATION

1. Write down the customer's radio station frequencies for the preset buttons.
2. Disconnect the negative cable from the battery.

3. Open the accessory socket lid. Using a flat-tip screwdriver, pry out the socket to release it from the case. Disconnect the 2-pin connector, and remove the socket.

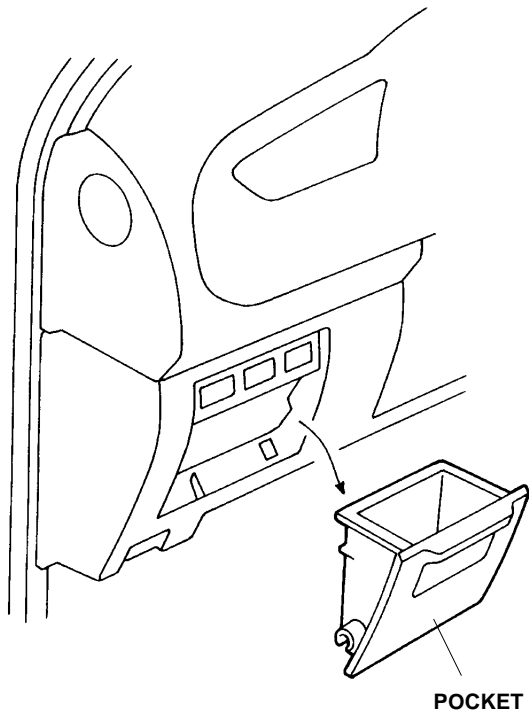


4. Gently pry out the case to release it from the front console. Remove the case.
5. Install the ring of the cigarette lighter assembly to the front console by aligning the tab of the ring with the cutout of the front console.

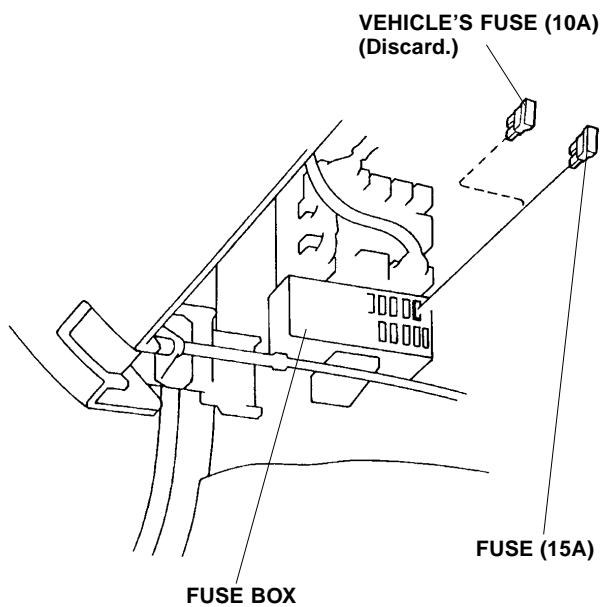


6. Connect the vehicle 2-pin connector to the socket of the cigarette lighter assembly, then push the socket into the ring while aligning the tab of the socket with the cutout of the ring.

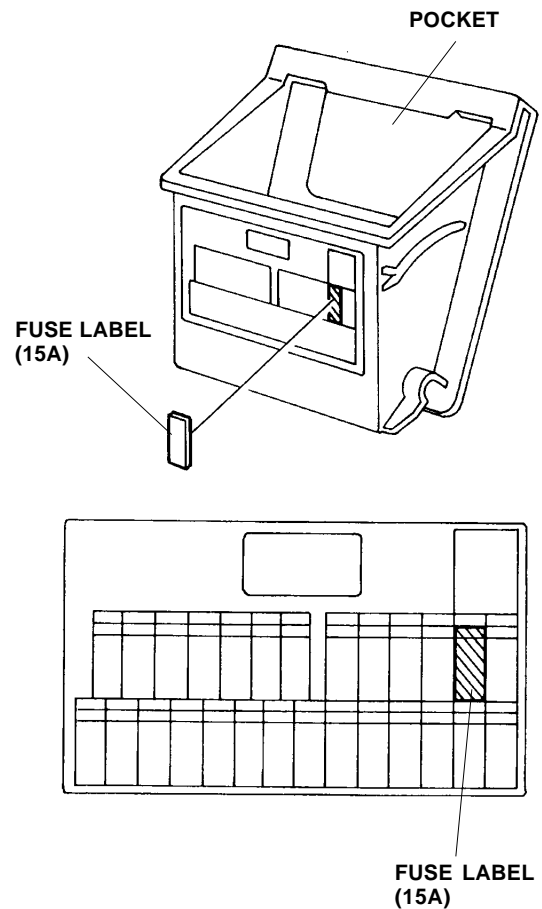
7. Remove the pocket.



8. Pull out the vehicle's fuse (10A) from the fuse box, and insert the new fuse (15A) into the fuse box.



9. Attach the 15A fuse label to the back of the pocket over the existing 10A fuse label.



10. Reinstall the pocket.

11. Reconnect the negative cable to the battery.

12. Install the cigarette lighter into the socket.

13. Press in the cigarette lighter to make sure that it heats properly.

14. Reset the radio station preset buttons.

15. Reset the clock.