



INSTALLATION INSTRUCTIONS

Accessory

CARGO BAG
P/N 08U10-S3Y-100

Application

2002 INSIGHT

Publications No.

All 23266

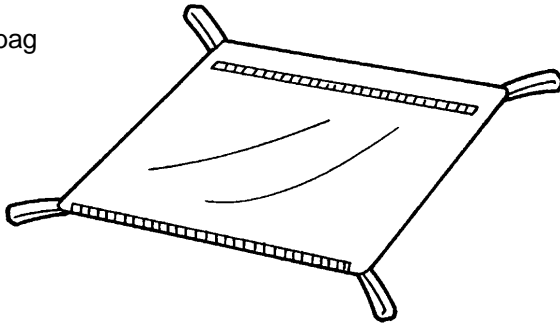
Issue Date

OCT 2001

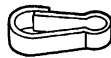
Keep this information in the glove box for future reference.

PARTS LIST

Cargo bag

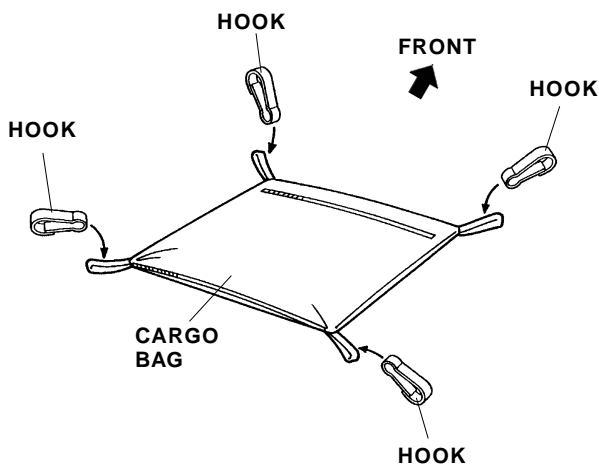


4 Hooks

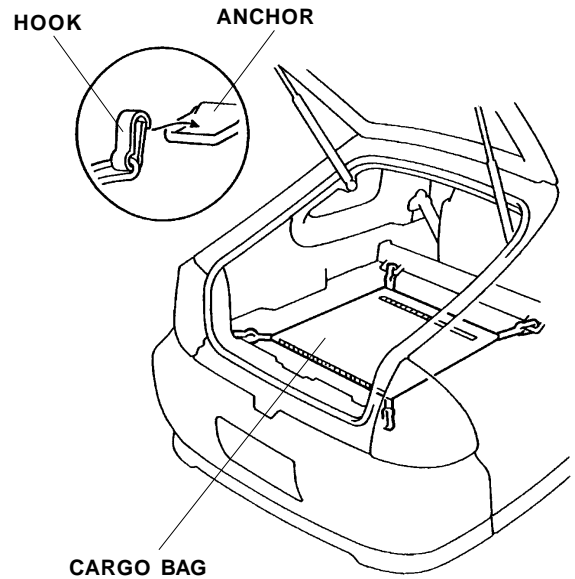


INSTALLATION

1. Attach the four hooks onto the cargo bag.



2. Attach the hooks to the anchors in the trunk.



NOTE:

- Do not allow the weight of the cargo to exceed 22 lb. (10 kg).
- Do not store large or fragile objects in the bag.
- Do not store objects with sharp edges or corners, as they may damage the cargo bag or the vehicle. Wrap such objects in paper or a blanket so they will not contact the bag directly.