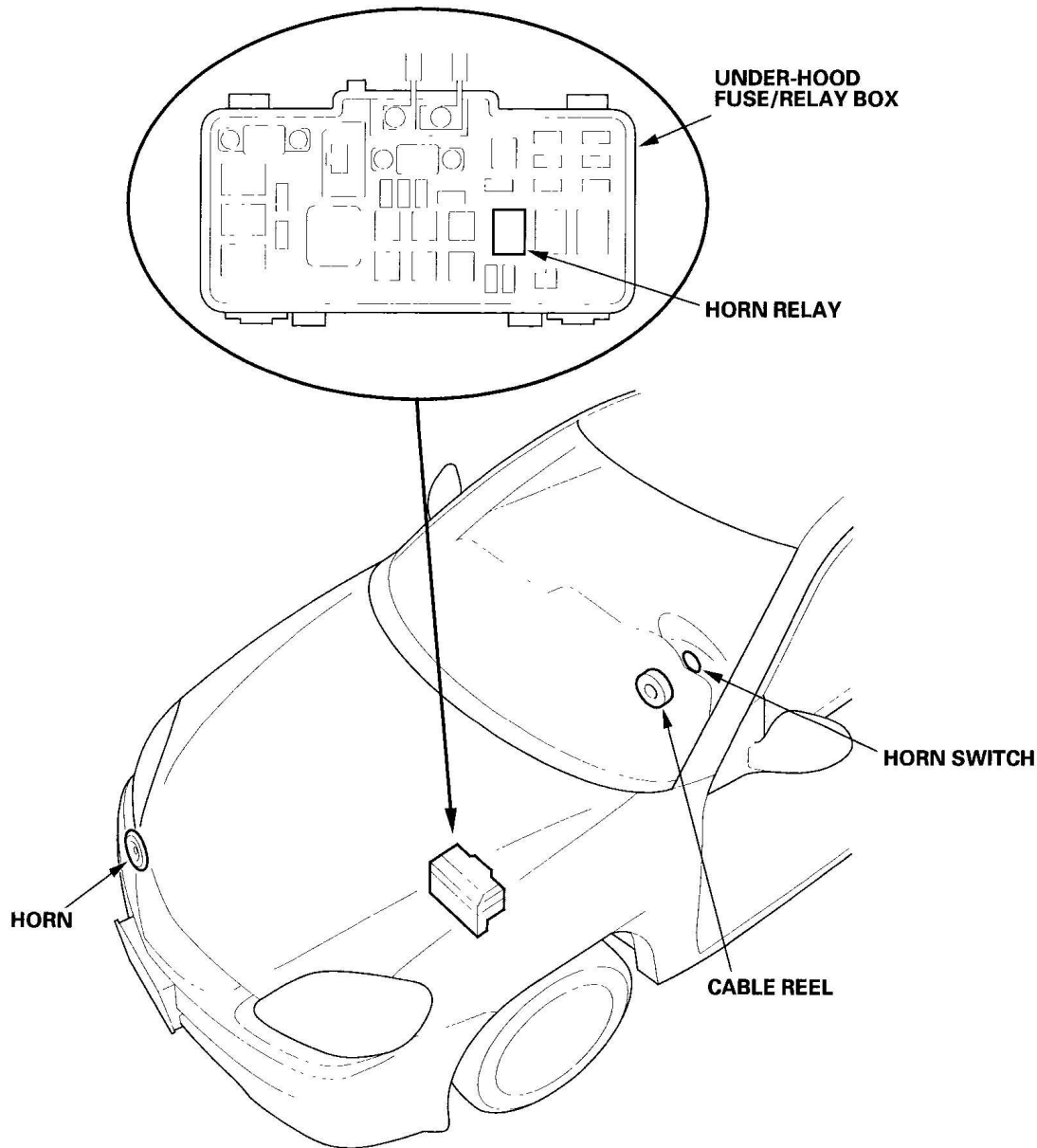


2000-06 ACCESSORIES & EQUIPMENT

Horns - Insight

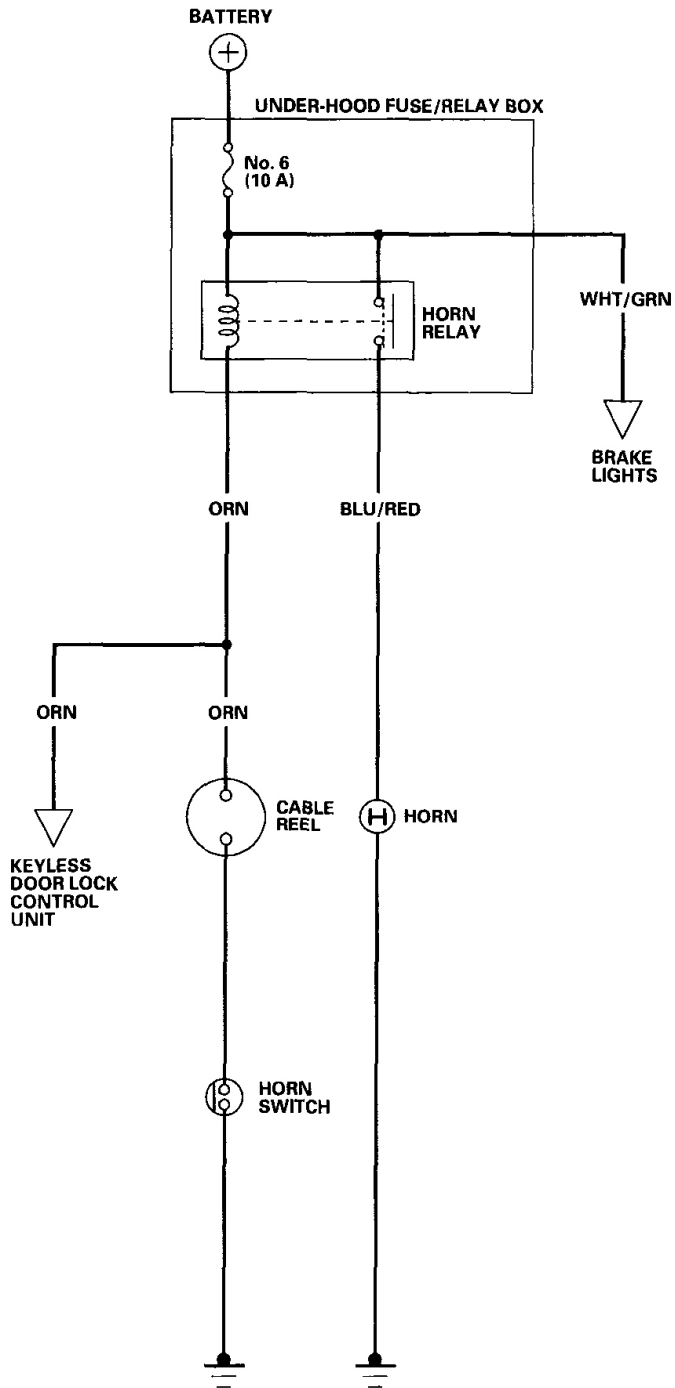
COMPONENT LOCATION INDEX



G03682957

Fig. 1: Identifying Horn Components Location
Courtesy of AMERICAN HONDA MOTOR CO., INC.

CIRCUIT DIAGRAM



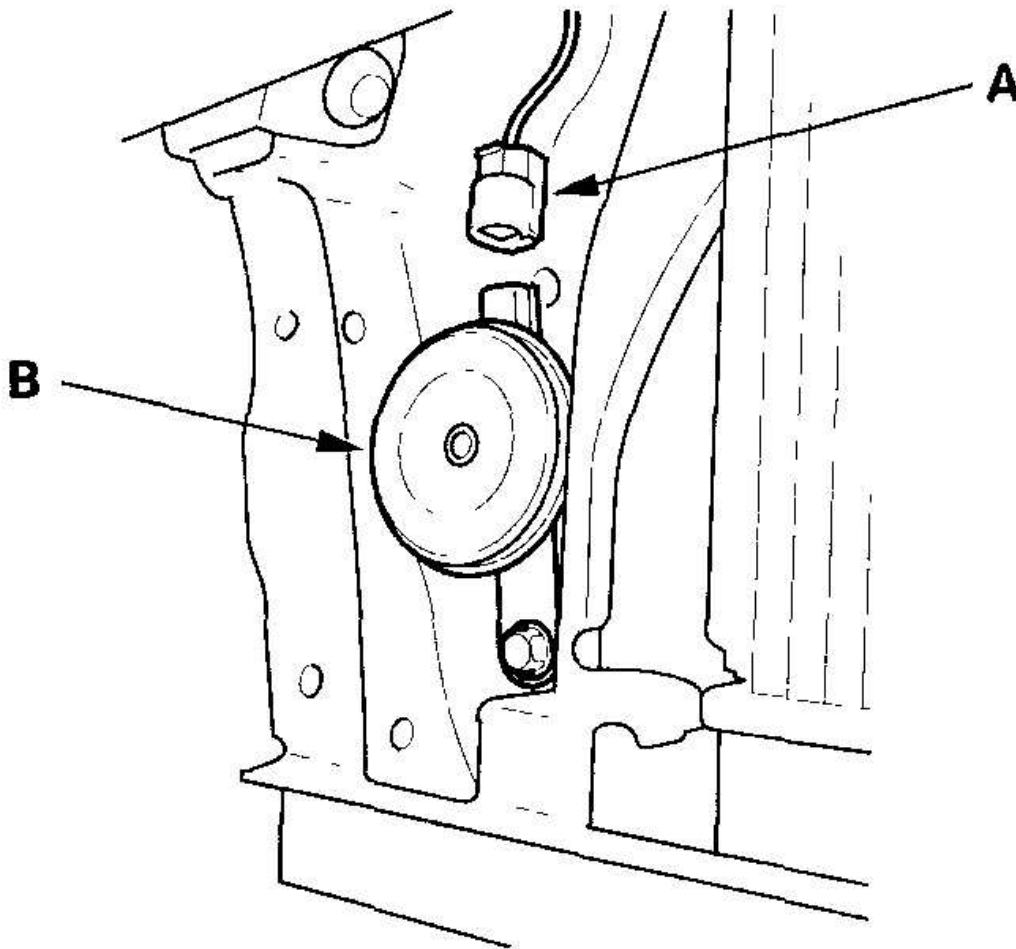
G03682958

Fig. 2: Circuit Diagram - Horn

Courtesy of AMERICAN HONDA MOTOR CO., INC.

HORN TEST/REPLACEMENT

1. Remove the front bumper (see **FRONT BUMPER REMOVAL/INSTALLATION**).
2. Disconnect the 1P connector (A), and remove the horn (B).

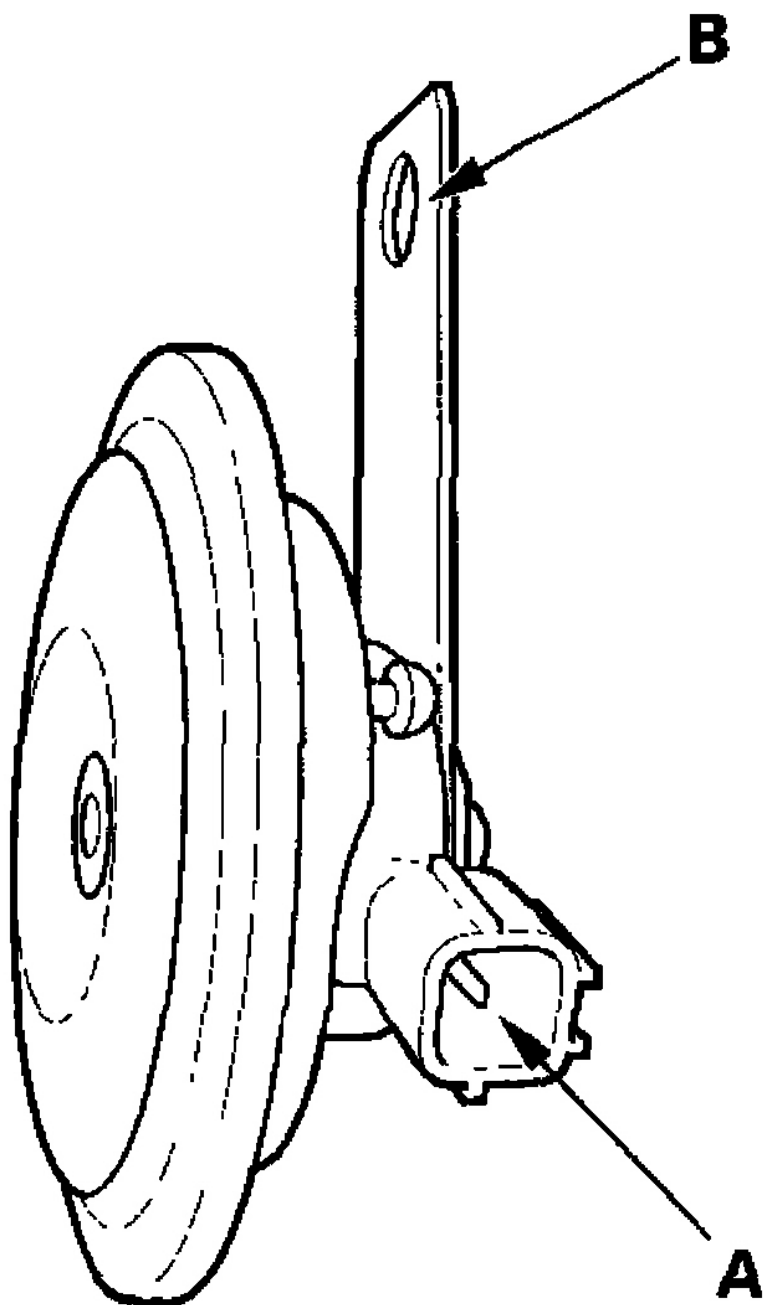


G03682959

Fig. 3: Removing Horn

Courtesy of AMERICAN HONDA MOTOR CO., INC.

3. Test the horn by connecting battery power to the terminal (A) and grounding the bracket (B). The horn should sound.



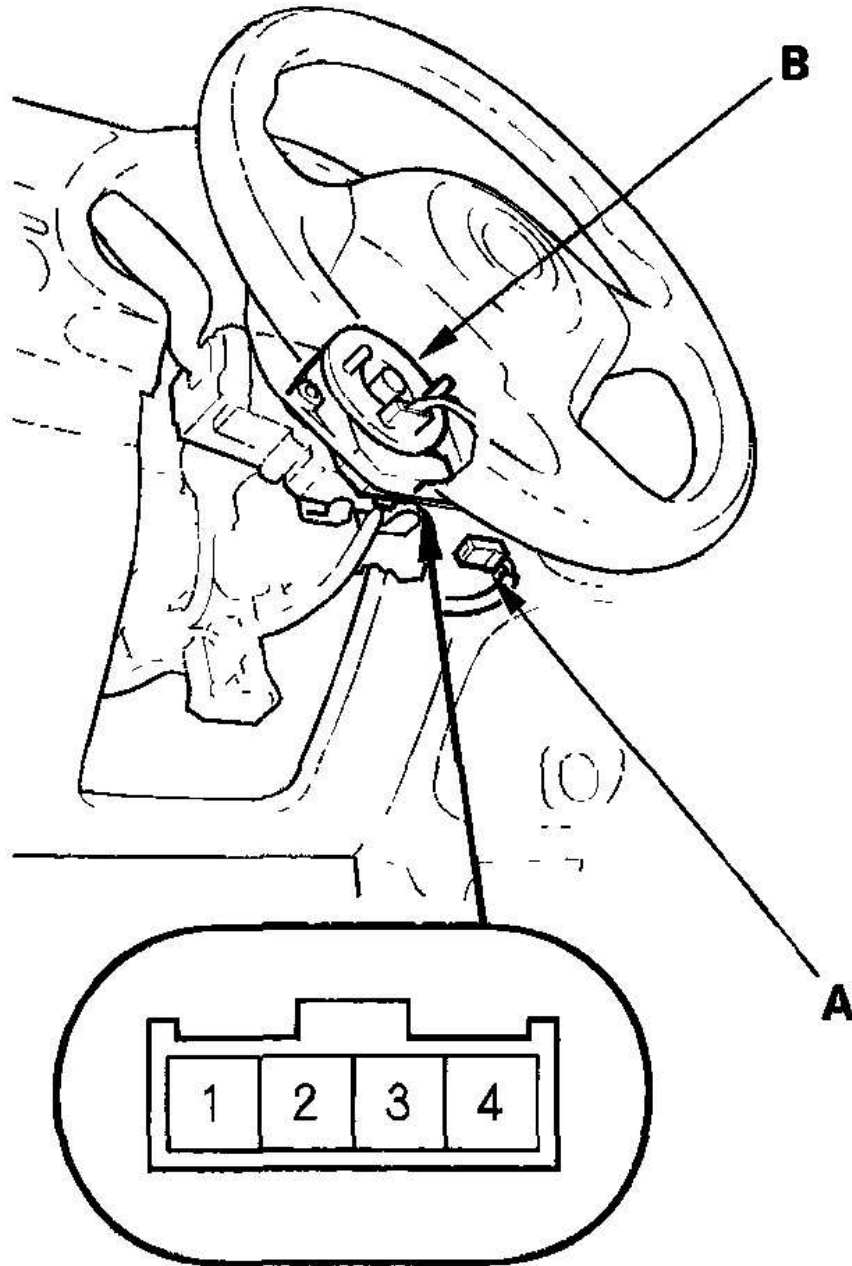
G03682960

Fig. 4: Identifying Connector Terminal And Horn Bracket
Courtesy of AMERICAN HONDA MOTOR CO., INC.

4. If it fails to sound, replace it.

HORN SWITCH TEST

1. Remove the steering column covers (see **STEERING LOCK REPLACEMENT**).
2. Disconnect the dashboard wire harness B 4P connector (A) from the cable reel (B).



G03682961

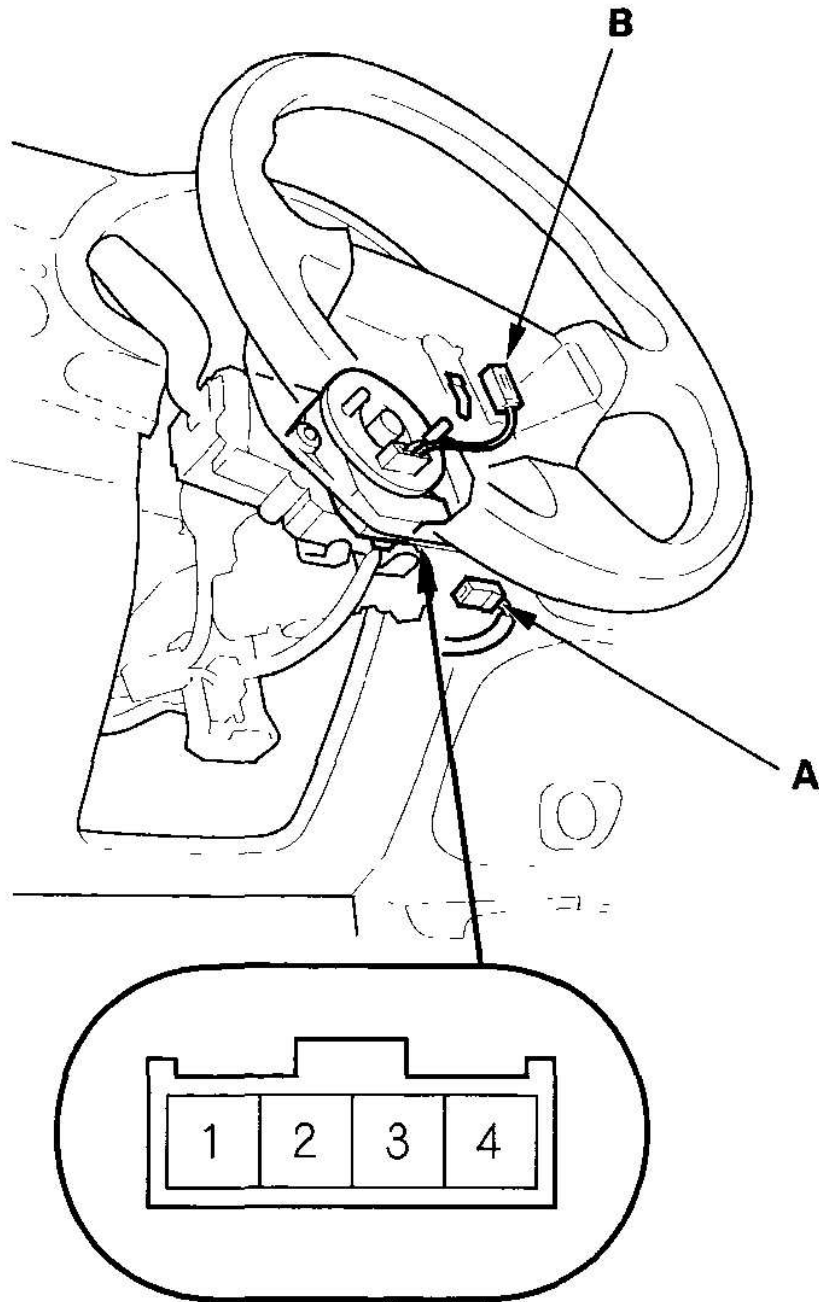
Fig. 5: Disconnecting Dashboard Wire Harness B 4P Connector From Cable Reel

Courtesy of AMERICAN HONDA MOTOR CO., INC.

2006 Honda Insight

2000-06 ACCESORIES & EQUIPMENT Horns - Insight

3. Using a jumper wire, connect the dashboard wire harness B 4P connector No. 2 terminal to body ground.
 - If the horn sounds, go to step 4.
 - If the horn does not sound, check these items:
 - Horn relay
 - No. 6 (10 A) fuse in the under-hood fuse/relay box
 - Horn (see **CIRCUIT DIAGRAM**)
 - An open in the wire
4. Reconnect the dashboard wire harness B 4P connector (A), and disconnect the horn switch 1P connector (B).



G03682962

Fig. 6: Reconnecting Dashboard Wire Harness B 4P Connector
Courtesy of AMERICAN HONDA MOTOR CO., INC.

2006 Honda Insight

2000-06 ACCESORIES & EQUIPMENT Horns - Insight

5. Using a jumper wire, connect the horn switch 1P connector to ground.
 - If the horn sounds, go to step 6.
 - If the horn does not sound, replace the cable reel (see **CABLE REEL REPLACEMENT**).
6. Reconnect the horn switch 1P connector.
7. Using a jumper wire, connect the steering column.
 - If the horn sounds, replace the steering column.
 - If the horn does not sound, replace the horn and contact plate.